

# TECNA<sup>®</sup>

INDUSTRIAL RESISTANCE WELDING SYSTEMS

THE CUTTING-EDGE TECHNOLOGY FOR RESISTANCE WELDING  
A COMMITMENT TO CONTINUOUS IMPROVEMENT

# NEW

## LOAD CELLS FOR RESISTANCE WELDERS

### from 100 to 8000 daN



Unaffected by off-axis loads

Immune to electromagnetic field

Low deflection under load

Interchangeable with  
standard plate



**CE EAC UK CA**  
Made by TECNA

LOAD CELL: 7730000005 / 7730000006

TECHNICAL SPECIFICATIONS	773000005	773000006
Capacity (f.s.)	1500 daN	8000 daN
Nominal output	~ 0,5mV/V	~ 0,8 mV/V
Insulation resistance	>5Gohm	
Linearity error with axial load	<±0,04% f.s.	
Protection	IP65	
Operating temperature	-10°C ... +60°C	
Output with 4-conductor shielded cable suitable for mobile laying	L=5m	

**773000005**

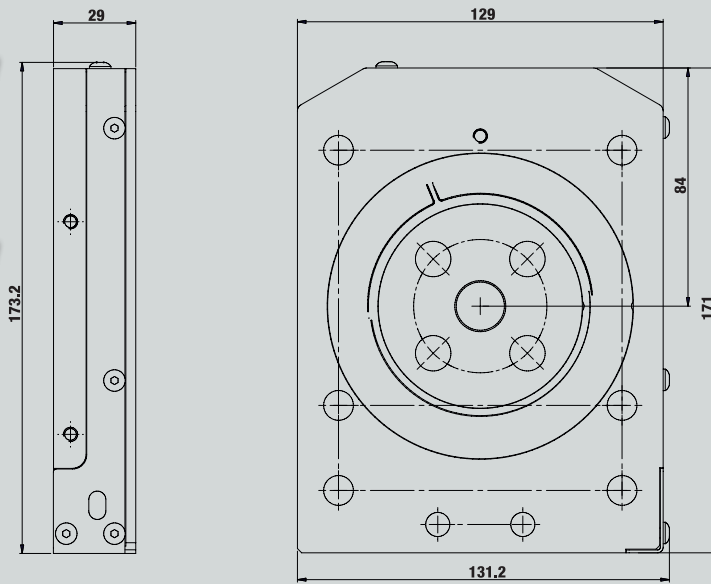
**7320000331**

Kit Load Cell cylinder  
d.125 mm, for 6121N÷6129N  
from 2020 (without Sensor)

**7320000332**

Kit Load Cell cylinder  
d.125 mm, for 6121N÷6129N  
from 2020 (with Sensor)

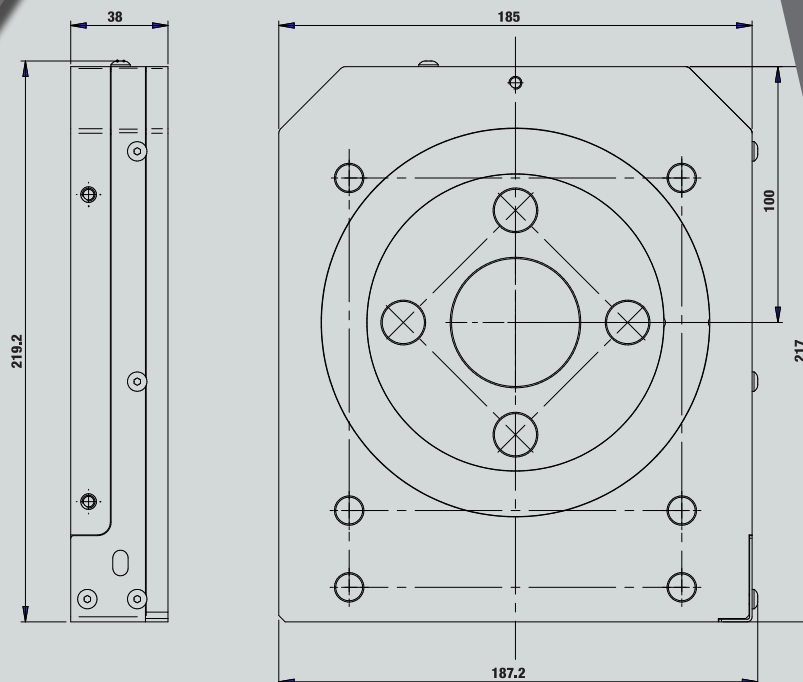
For cylinder  
**d. 125 mm**  
TECNA



**1500 daN**

**773000006**

For Square stem cylinder  
**d. 160 ÷ 200 mm**  
TECNA



**8000 daN**