

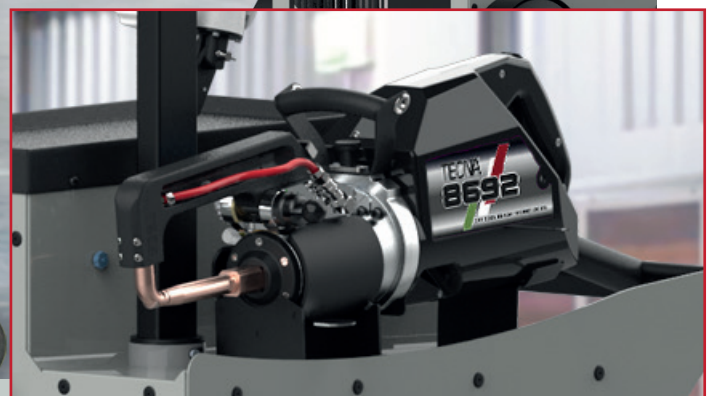
TECNA[®]

NEW GENERATION 3680S Industry

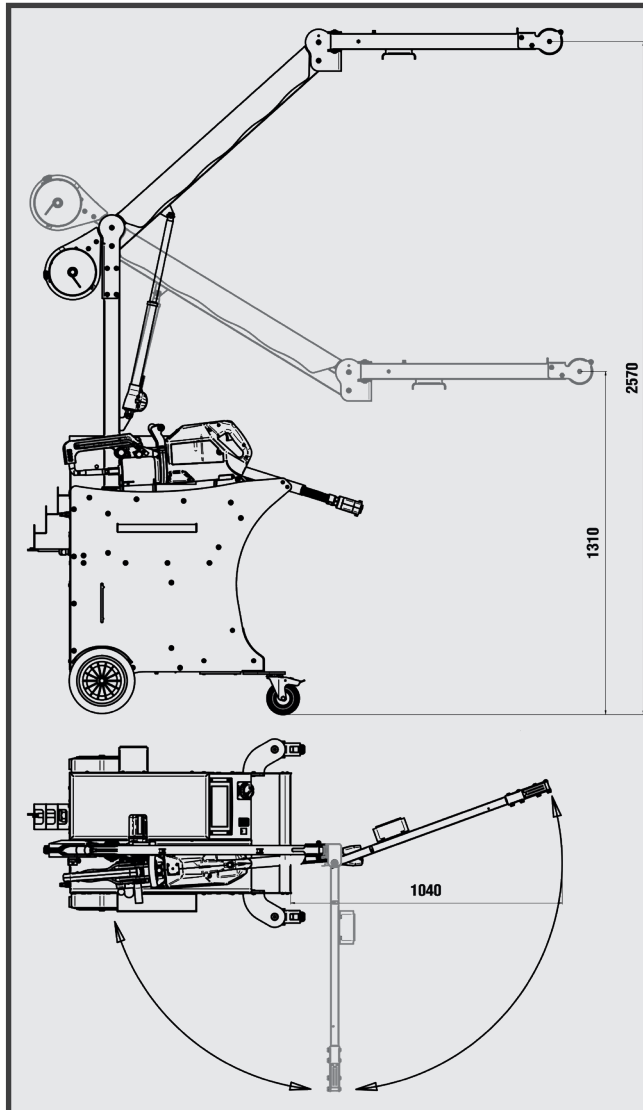
new motorized
suspension gun

new bowden retractor with
high smoothness cable

8692 new gun



TECNA AVAILABLE MODELS:
3680S Industry



TECHNICAL FEATURES	3680SI 8692	3680SI 8692	3680SI 8692
Supply voltage	*400 VACx3~50 Hz	*220 VACx3~50/60 Hz	*480 VACx3~60 Hz
Mains fuses	32 A - de- layed	50 A - de- layed	50 A - de- layed
Welding current	15.500 A		
Content of the water tank	25 l		
Dimensions height/width/depth	233 / 72 / 98 cm		
Total weight without accessories	165 kg		
"C" gun	8692	8692	8692
Cables length	4 m	6 m	6 m
Nominal power 50% ED	22 kVA	22 kVA	22 kVA
Maximum welding power	129 kVA	129 kVA	129 kVA
Thermal current 100%	2,05 kA	2,05 kA	2,05 kA
No load secondary voltage	7,7 V	7,7 V	7,7 V
Max. electrode force at 8 bar	580 daN	580 daN	580 daN
Recognition sensor	S	S	S
Gun weight without arms	10,8 kg	10,8 kg	10,8 kg

special installation with
COBOT safety



DC19900006