

# TECNA®

Resistance Welding Systems & Balancers



## General Catalogue FOOD INDUSTRY Balancers

CAPACITY 0,2 ÷ 180 kg



[www.tecna.net](http://www.tecna.net)



TECNA S.P.A. - VIA MEUCCI, 27 - CASTEL SAN PIETRO TERME

TECNA produces and distributes a complete range of BALANCERS having a capacity from 0.2 kg to 180 kg and an available standard wire stroke up to 3 meters. The TECNA BALANCER is an essential device to eliminate the operator's labour, to increase productivity by cutting down tools handling time and to improve work quality. Furthermore, the use of the TECNA BALANCERS reduces hoses and cables wear and avoids eventual damages to both people and tools.

The application of the TECNA BALANCER is absolutely versatile: it may be used for bench or assembly line works and it may be suitably applied to small tools, industrial suspended welders and multiple screw drivers. The ergonomic structure of the TECNA balancers has been designed to facilitate each application of use, ranging from movement easiness to body robustness, from simple use to lifting power.

TECNA, as a primary manufacturer, realizes special as well as customized versions upon demand.



TECNA S.P.A. - VIA GR



Made in TECNA





MECO, 25/27 - CASTEL SAN PIETRO TERME



# MAIN APPLICATIONS

## FOOD & BEVERAGE



## MEAT PROCESSING



## DAIRY INDUSTRY



## BAKERY & CONFECTIONERY



## INDUSTRIAL WASHING & SANITISING



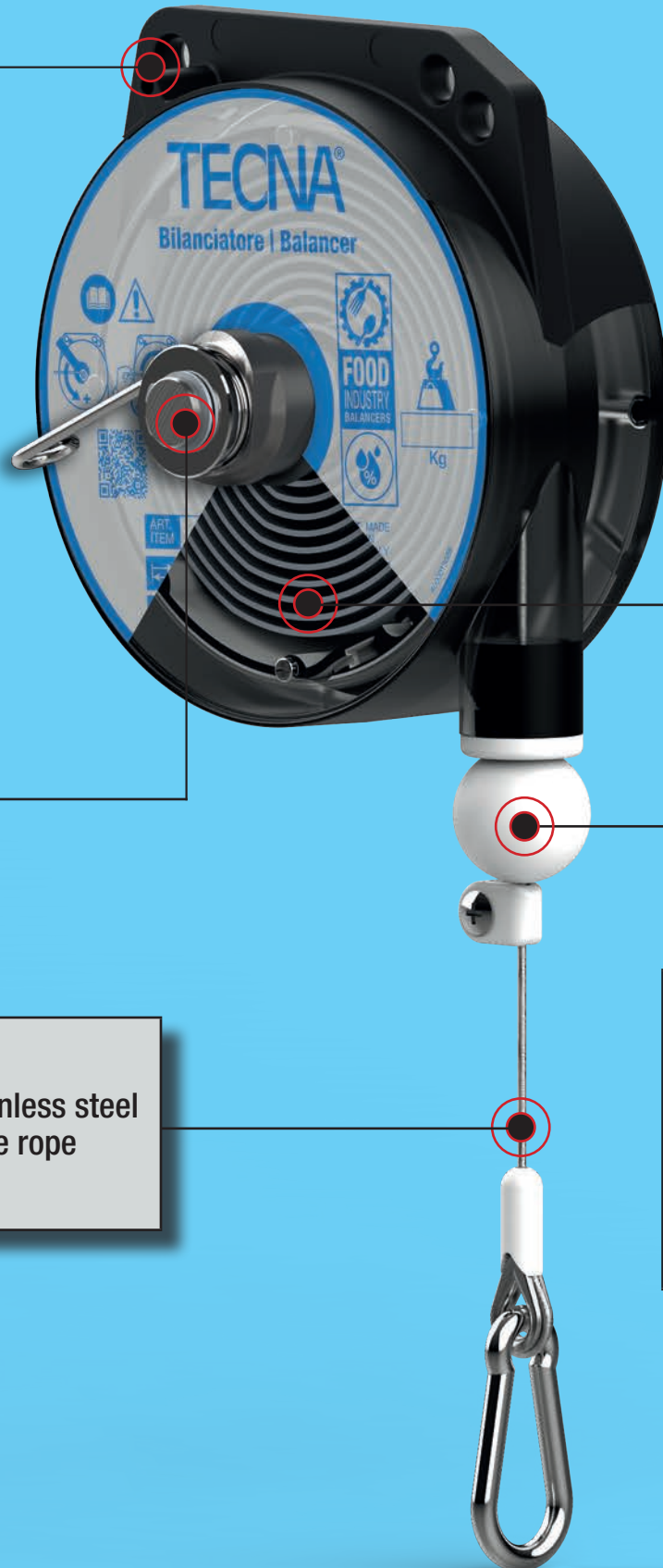
# RETRACTORS



**FOOD  
INDUSTRY  
BALANCERS**



Aluminium housing with Hard Anodizing treatment  
Resistant to oxidation and chemical aggression



NSF-H1 certified food grade grease

**H1**

Rustproof and Stainless Steel exterior materials

Full Stainless steel wire rope



Food Grade Rope guide, Shock absorber and wire cap





9310IL÷9313IL

9320IL÷9323IL



	1600 mm
	0,2÷3 kg



	2000 mm
	1÷8 kg



9336LIL÷9340IL

9346LIL÷9350IL



2500 mm



0,5÷14 kg



STOP



2500 mm



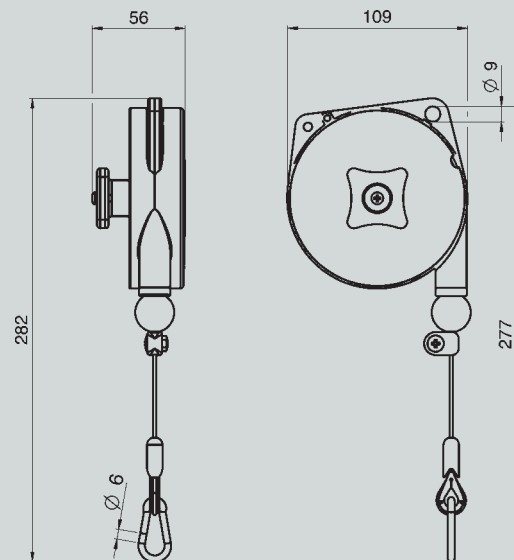
0,5÷14 kg



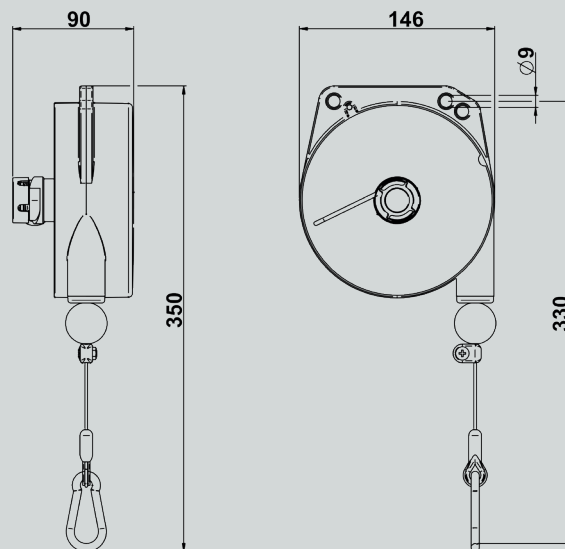
# BALANCERS TECHNICAL FEATURES

		
<b>9310IL</b>	<b>0,2÷0,5 kg</b>	<b>1600 mm</b>
<b>9311IL</b>	<b>0,4÷1,0kg</b>	<b>1600 mm</b>
<b>9312IL</b>	<b>1,0÷2,0 kg</b>	<b>1600 mm</b>
<b>9313IL</b>	<b>2,0÷3,0 kg</b>	<b>1600 mm</b>
<b>9320IL</b>	<b>1,0÷2,5 kg</b>	<b>2000 mm</b>
<b>9321IL</b>	<b>2,0÷4,0 kg</b>	<b>2000 mm</b>
<b>9322IL</b>	<b>4,0÷6,0 kg</b>	<b>2000 mm</b>
<b>9323IL</b>	<b>6,0÷8,0 kg</b>	<b>2000 mm</b>
<b>9336LIL</b>	<b>0,5÷2,0 kg</b>	<b>2500 mm</b>
<b>9336IL</b>	<b>2,0÷4,0 kg</b>	<b>2500 mm</b>
<b>9337IL</b>	<b>4,0÷6,0 kg</b>	<b>2500 mm</b>
<b>9338IL</b>	<b>6,0÷8,0 kg</b>	<b>2500 mm</b>
<b>9339IL</b>	<b>8,0÷10 kg</b>	<b>2500 mm</b>
<b>9340IL</b>	<b>10÷14 kg</b>	<b>2500 mm</b>
<b>*9346LIL</b>	<b>0,5÷2,0 kg</b>	<b>2500 mm</b>
<b>*9346IL</b>	<b>2,0÷4,0 kg</b>	<b>2500 mm</b>
<b>*9347IL</b>	<b>4,0÷6,0 kg</b>	<b>2500 mm</b>
<b>*9348IL</b>	<b>6,0÷8,0 kg</b>	<b>2500 mm</b>
<b>*9349IL</b>	<b>8,0÷10 kg</b>	<b>2500 mm</b>
<b>*9350IL</b>	<b>10÷14 kg</b>	<b>2500 mm</b>

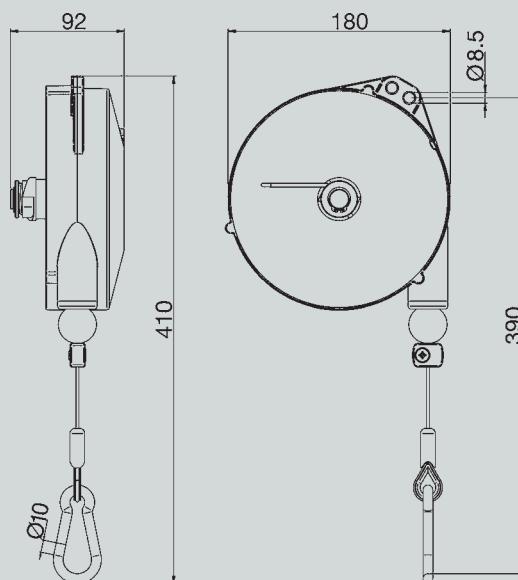
\* STOP device



9310IL÷9313IL



9320IL÷9323IL



9336LIL÷9350IL

# ZERO GRAVITY BALANCERS



**FOOD  
INDUSTRY  
BALANCERS**



Rustproof and  
Stainless Steel  
exterior materials

Aluminium housing with high-strength Rilsan treatment against oxidation and chemical aggression from soaps and detergents. Facilitates cleaning and sanitising of the surface

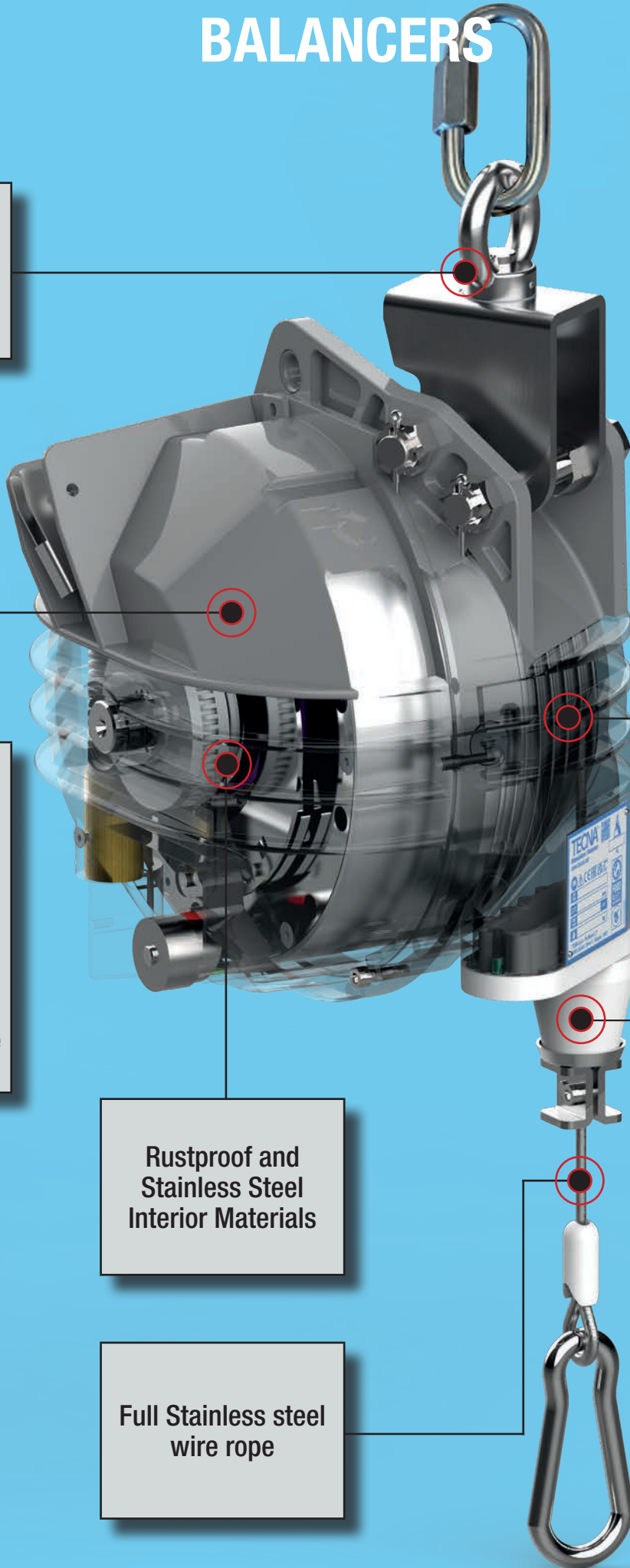
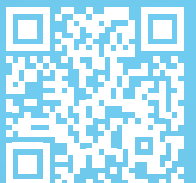
Rustproof and  
Stainless Steel  
Interior Materials

Full Stainless steel  
wire rope

NSF-H1 Certified  
Food Grade Grease

**H1**

Food Grade Rope  
guide, Shock  
absorber and wire  
cap



# 9354RL÷9359RL



2000 mm



4÷25 kg



# 9502RL÷9525RL



OPTION B1  
(719000010)



2100 mm

2700 mm



12÷100 kg





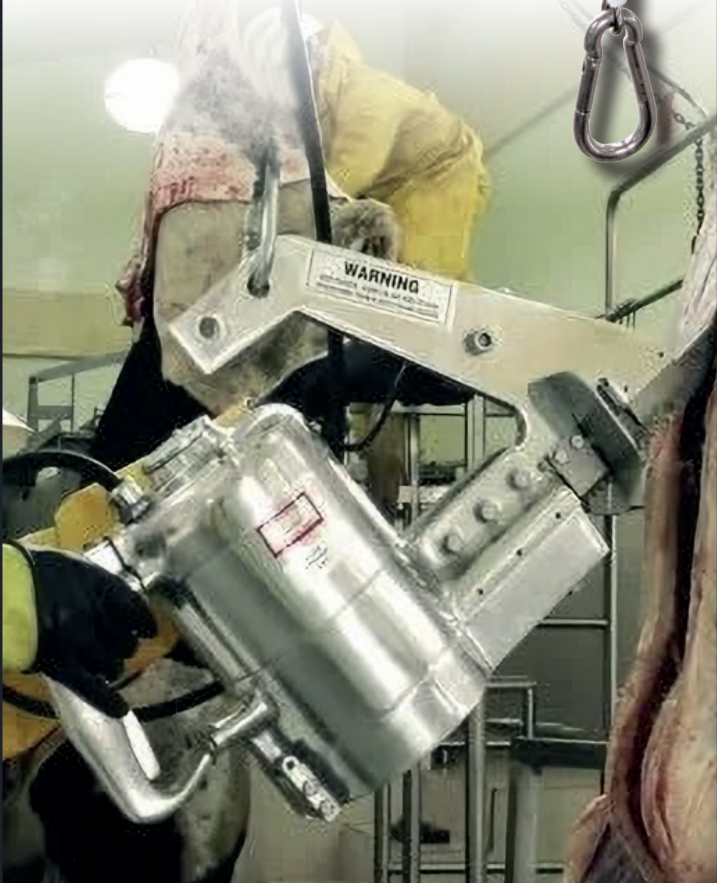
OPTION B1



2000 mm



10÷75 kg



OPTION B1



2500 mm

3000 mm

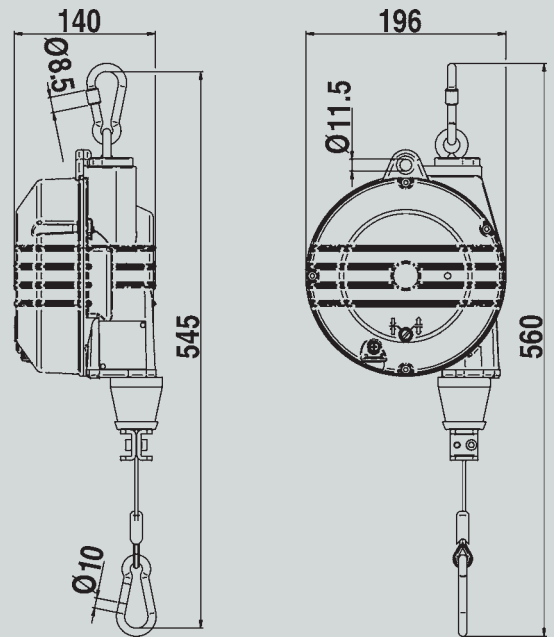


15÷180 kg

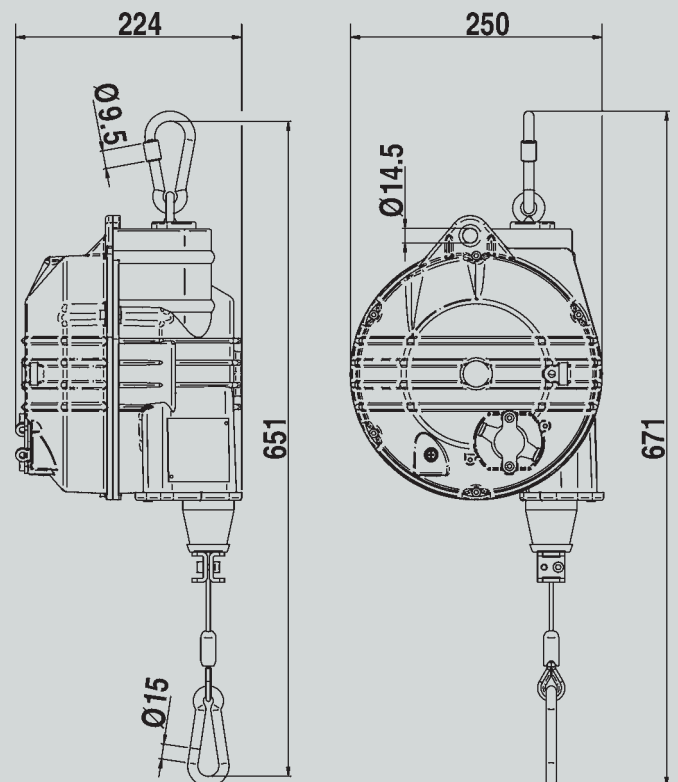


# BALANCERS TECHNICAL FEATURES

		
9354RL	4,0÷7,0 kg	2000 mm
9355RL	7,0÷10 kg	2000 mm
9356RL	10÷14 kg	2000 mm
9357RL	14÷18 kg	2000 mm
9358RL	18÷22 kg	2000 mm
9359RL	22÷25 kg	2000 mm
9502RL	20÷30 kg	2100 mm
9503RL	30÷40 kg	2100 mm
9504RL	40÷50 kg	2100 mm
9505RL	50÷60 kg	2100 mm
9506RL	60÷70 kg	2100 mm
9507RL	70÷80 kg	2100 mm
9508RL	80÷90 kg	2100 mm
9509RL	90÷100 kg	2100 mm
9520RL	12÷20 kg	2700 mm
9521RL	20÷30 kg	2700 mm
9522RL	30÷40 kg	2700 mm
9523RL	40÷50 kg	2700 mm
9524RL	50÷60 kg	2700 mm
9525RL	60÷70 kg	2700 mm



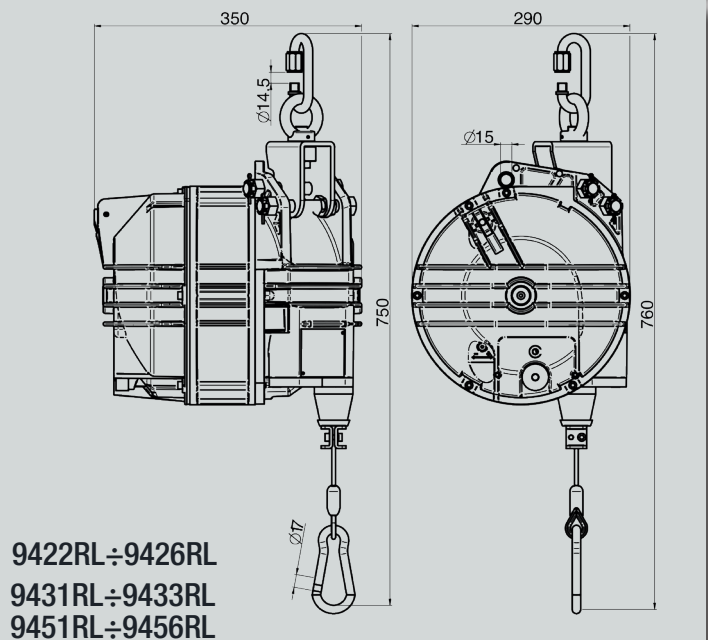
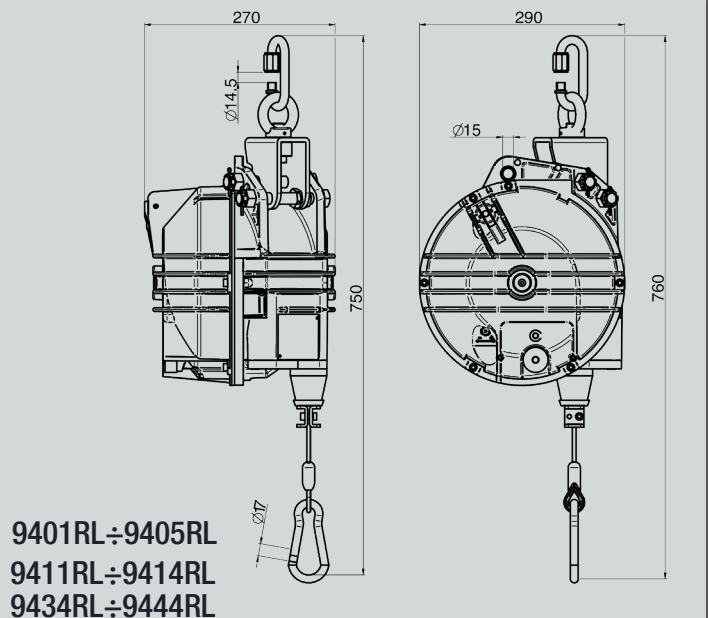
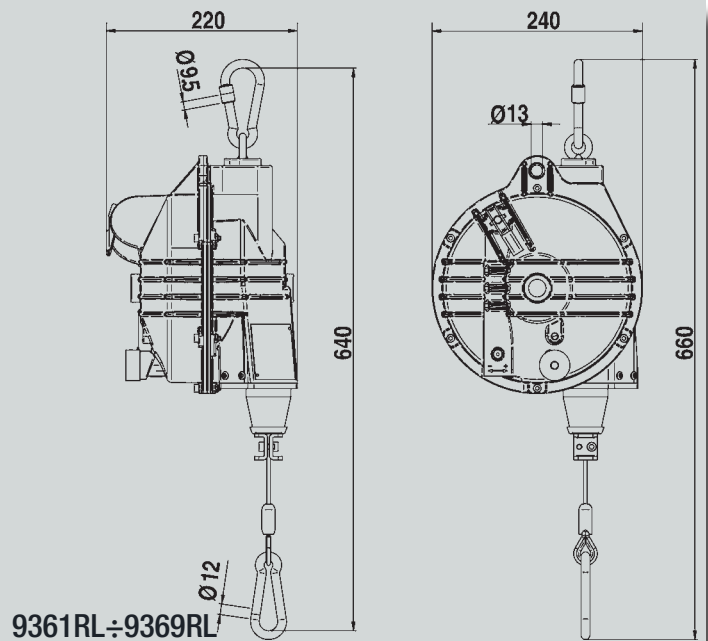
9354RL÷9359RL



9502RL÷9525RL

# BALANCERS TECHNICAL FEATURES

		
9361RL*	10÷15 kg	2000 mm
9362RL*	15÷20 kg	2000 mm
9363RL*	20÷25 kg	2000 mm
9364RL*	25÷30 kg	2000 mm
9365RL*	30÷35 kg	2000 mm
9366RL*	35÷45 kg	2000 mm
9367RL*	45÷55 kg	2000 mm
9368RL*	55÷65 kg	2000 mm
9369RL*	65÷75 kg	2000 mm
9401RL*	15÷20 kg	2500 mm
9402RL*	20÷30 kg	2500 mm
9403RL*	30÷40 kg	2500 mm
9404RL*	40÷50 kg	2500 mm
9405RL*	50÷60 kg	2500 mm
9411RL*	60÷70 kg	2500 mm
9412RL*	70÷80 kg	2500 mm
9413RL*	80÷90 kg	2500 mm
9414RL*	90÷100 kg	2500 mm
9422RL*	100÷120 kg	2500 mm
9423RL*	120÷140 kg	2500 mm
9424RL*	130÷150 kg	2500 mm
9425RL*	140÷160 kg	2500 mm
9426RL*	160÷180 kg	2500 mm
9431RL*	15÷20 kg	3000 mm
9432RL*	20÷25 kg	3000 mm
9433RL*	25÷35 kg	3000 mm
9434RL*	35÷45 kg	3000 mm
9435RL*	40÷50 kg	3000 mm
9436RL*	50÷60 kg	3000 mm
9441RL*	60÷70 kg	3000 mm
9442RL*	70÷80 kg	3000 mm
9443RL*	80÷90 kg	3000 mm
9444RL*	80÷100 kg	3000 mm
9451RL*	100÷115 kg	3000 mm
9452RL*	115÷130 kg	3000 mm
9453RL*	130÷140 kg	3000 mm
9454RL*	140÷150 kg	3000 mm
9455RL*	150÷160 kg	3000 mm
9456RL*	160÷180 kg	3000 mm



\* Centrifugal Safety Device

# EXTENSIONS CABLES FOR BALANCERS

mm / inch

## EXTENSIONS CABLES (carabiner 40mm-1.57")

### 9310IL ÷ 9313IL

(L) MM	CODE (Stainless steel rope Ø 2-0.08")	(L) inch
500	7260000149	19.68
1000	7260000150	39.37
2500	7260000151	98.42
3000	7260000152	118.11
5000	7260000153	196.85

## EXTENSIONS CABLES (carabiner 60mm-2.36")

### 9320IL ÷ 9323IL

(L) MM	CODE (Stainless steel rope Ø 2-0.08")	(L) inch
500	7260000164	19.68
1000	7260000165	39.37
2500	7260000166	98.42
3000	7260000167	118.11
5000	7260000168	196.85

## EXTENSIONS CABLES (carabiner 80mm-3.14")

### 9336LIL ÷ 9350IL

(L) MM	CODE (Stainless steel rope Ø 2,5-0.10")	(L) inch
500	7260000159	19.68
1000	7260000160	39.37
2500	7260000161	98.42
3000	7260000162	118.11
5000	7260000163	196.85

## EXTENSIONS CABLES (carabiner 80mm-3.14")

### 9354RL ÷ 9359RL

(L) MM	CODE (Stainless steel rope Ø 3-0.12")	(L) inch
500	72967/0,5	19.68
1000	72967/1	39.37
2500	72967/2,5	98.42
3000	72967/3	118.11
5000	72967/5	196.85

## EXTENSIONS CABLES (carabiner 100mm-3.94")

### 9361RL ÷ 9371RL - 9520RL ÷ 9525RL

(L) MM	CODE (Stainless steel rope Ø 4-0.16")	(L) inch
500	72968/0,5	19.68
1000	72968/1	39.37
2500	72968/2,5	98.42
3000	72968/3	118.11
5000	72968/5	196.85

## EXTENSIONS CABLES (carabiner 100mm-3.94")

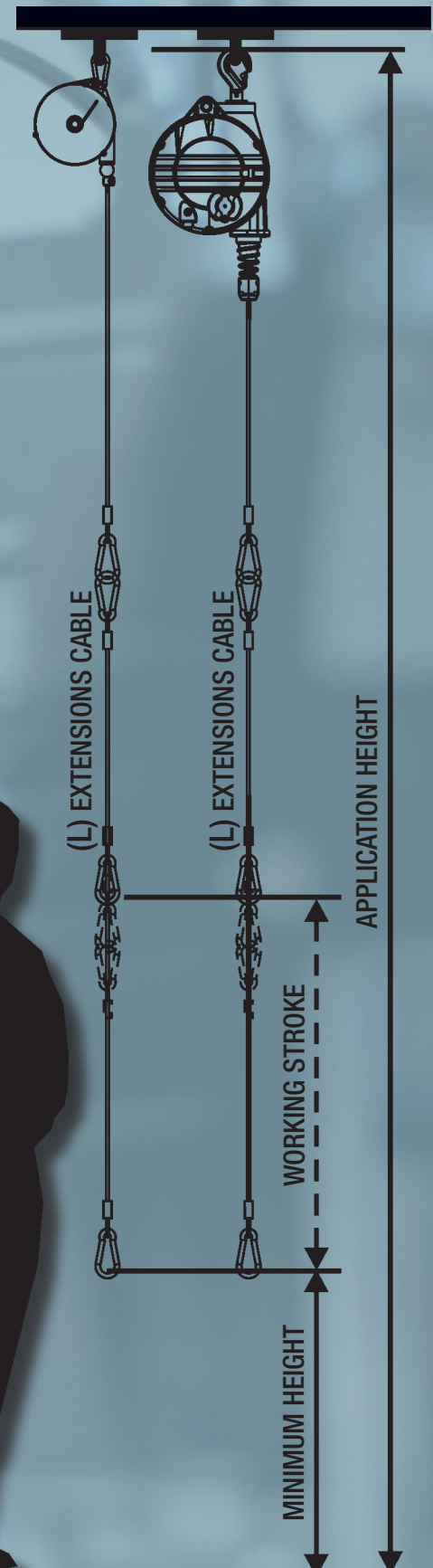
### 9502RL ÷ 9509RL

(L) MM	CODE (Stainless steel rope Ø 5-0.20")	(L) inch
500	72969/0,5	19.68
1000	72969/1	39.37
2500	72969/2,5	98.42
3000	72969/3	118.11
5000	72969/5	196.85

## EXTENSIONS CABLES (carabiner 120mm-4.72")

### 94XXRL

(L) MM	CODE (Stainless steel rope Ø 5-0.20")	(L) inch
500	7260000319	19.68
1000	7260000320	39.37
2500	7260000321	98.42
3000	7260000322	118.11
5000	7260000323	196.85



FOR BALANCERS



## WHY FOOD INDUSTRY LINE

TECNA balancers are increasingly used in new applications and environmental conditions, they are known worldwide for their strong build, durability, performance and ease of use. Every time you buy TECNA balancers, you buy the leading product, Made in Italy, with an added value: you buy quality, you buy research and innovation, service and assistance. You will never be alone again.

That's why we thought: what more can we do? What more can we give? Our FOOD INDUSTRY LINE is the answer.



### **Rust-proof and stainless steel inner parts Tough and suitable for heavy-duty**

In detail

ZERO GRAVITY balancers with completely stainless parts, both outside and inside; food-grade grease NSF-H1 certified; aluminium housing with high-resistance Rilsan treatment against oxidation and chemical aggression of soaps and detergents, with low surface rugosity to improve cleaning and sanitizing efficiency against dirt and bacteria.

RETRACTOR balancers feature stainless steel on all external parts; food grade grease NSF-H1 certified; aluminium housing with hard anodization treatment, resistant to oxidation and chemical aggression.

All the safety solutions, in which you have placed your trust over the years, remain unchanged.

Applications range from the food and beverage industry to the dairy industry, from meat processing and slaughtering to the sausage industry, from sweets to bread, from seeds and nuts to fruits and vegetables, from washing and sanitizing to chemical or saline environments.

You need it, we solve it.



### **Stainless steel loop&hook with increased resistance to wear**

What do you ask of a balancer?

Ergonomics, production efficiency, easy handling and lifting of tools and equipment. Less stress on your back and joints for a better quality of life and safety, at work as well at home.

Robustness in all conditions, in all environments. The ATEX product line was TECNA's first step towards safety in Explosive Atmospheres.

The extreme working conditions are always pushing for more performing products. Tecna has the mission to excel and the commitment to a constant improvement to follow and anticipate the needs.

The new FOOD INDUSTRY LINE brings the excellence of balancers in extreme working environments: a product that can work in the presence of steam, moisture and humidity, resistant to chemical aggression of cleaning and sanitizing products.



### **Stainless steel hardware & food grade plastics Stainless steel cable and carabiner**

# ITEM

kg / lb - mm / inch

	G	NY	AX	ESD	IL RL						
						Kg	lb	mm	inch	Kg	lb
9300		NY				0,2÷0,5	0,44÷1,1	1600	62,99	0,43	0,95
9301		NY				0,4÷1	0,88÷2,20	1600	62,99	0,46	1,01
9302		NY				1÷2	2,20÷4,41	1600	62,99	0,49	1,08
9303		NY				2÷3	4,41÷6,61	1600	62,99	0,64	1,41
9310		NY	AX	ESD	IL	0,2÷0,5	0,44÷1,1	1600	62,99	0,55	1,21
9311		NY	AX	ESD	IL	0,4÷1	0,88÷2,20	1600	62,99	0,57	1,26
9312		NY	AX	ESD	IL	1÷2	2,20÷4,41	1600	62,99	0,60	1,32
9313		NY	AX	ESD	IL	2÷3	4,41÷6,61	1600	62,99	0,74	1,63
9320		NY	AX	ESD	IL	1÷2,5	2,20÷5,51	2000	78,74	1,67	3,68
9321		NY	AX	ESD	IL	2÷4	4,41÷8,82	2000	78,74	1,90	4,19
9322		NY	AX	ESD	IL	4÷6	8,82÷13,23	2000	78,74	1,98	4,37
9323		NY	AX	ESD	IL	6÷8	13,23÷17,63	2000	78,74	2,28	5,03
9336L		NY	AX	ESD	IL	0,5÷2	1,1÷4,41	2500	98,43	3,14	6,92
9336		NY	AX	ESD	IL	2÷4	4,41÷8,82	2500	98,43	3,14	6,92
9337		NY	AX	ESD	IL	4÷6	8,82÷13,23	2500	98,43	3,30	7,28
9338		NY	AX	ESD	IL	6÷8	13,23÷17,63	2500	98,43	3,36	7,41
9339		NY	AX	ESD	IL	8÷10	17,63÷22,05	2500	98,43	3,43	7,56
9340		NY	AX	ESD	IL	10÷14	22,05÷30,86	2500	98,43	3,58	7,89
9346L		NY	AX	ESD	IL	0,5÷2	1,1÷4,41	2500	98,43	3,14	6,92
9346		NY	AX	ESD	IL	2÷4	4,41÷8,82	2500	98,43	3,14	6,92
9347		NY	AX	ESD	IL	4÷6	8,82÷13,23	2500	98,43	3,32	7,32
9348		NY	AX	ESD	IL	6÷8	13,23÷17,63	2500	98,43	3,38	7,45
9349		NY	AX	ESD	IL	8÷10	17,63÷22,05	2500	98,43	3,48	7,67
9350		NY	AX	ESD	IL	10÷14	22,05÷30,86	2500	98,43	3,62	7,98
9354	G		AX	ESD	RL	4÷7	8,82÷15,43	2000	78,74	4,94	10,89
9355	G		AX	ESD	RL	7÷10	15,43÷22,05	2000	78,74	5,30	11,68
9356	G		AX	ESD	RL	10÷14	22,05÷30,86	2000	78,74	5,67	12,5
9357	G		AX	ESD	RL	14÷18	30,86÷39,68	2000	78,74	6,26	13,8
9358	G		AX	ESD	RL	18÷22	39,68÷48,50	2000	78,74	5,89	12,99
9359	G		AX	ESD	RL	22÷25	48,50÷55,12	2000	78,74	6,53	14,4
9361	G				RL	10÷15	22,05÷33,07	2000	78,74	9,91	21,85
9362	G				RL	15÷20	33,07÷44,10	2000	78,74	10,20	22,49
9363	G				RL	20÷25	44,10÷55,12	2000	78,74	10,48	23,1
9364	G				RL	25÷30	55,12÷66,14	2000	78,74	11,32	24,96
9365	G				RL	30÷35	66,14÷77,16	2000	78,74	11,32	24,96
9366	G				RL	35÷45	77,16÷99,21	2000	78,74	12,21	26,92
9367	G				RL	45÷55	99,21÷121,25	2000	78,74	12,21	26,92
9368	G				RL	55÷65	121,25÷143,3	2000	78,74	13,06	28,79
9369	G				RL	65÷75	143,3÷165,35	2000	78,74	13,86	30,56
9370	G					75÷90	165,35÷198,42	2000	78,74	16,84	37,13
9371	G					90÷105	198,42÷231,49	2000	78,74	17,77	39,18
9401	G				RL	15÷20	33,07÷44,10	2500	98,43	19,67	43,36
9402	G				RL	20÷30	44,10÷66,14	2500	98,43	21,11	46,54
9403	G				RL	30÷40	66,14÷88,18	2500	98,43	21,11	46,54
9404	G				RL	40÷50	88,18÷110,23	2500	98,43	22,03	48,57
9405	G				RL	50÷60	110,23÷132,28	2500	98,43	23,07	50,86

# ITEM

kg / lb - mm / inch

ITEM	G	NY	AX	ESD	IL RL	Kg		lb		mm		inch		Kg		lb	
9431	G				RL	15÷20	33,07÷44,10	3000	118,11	19,67	43,36						
9432	G				RL	20÷25	44,10÷55,12	3000	118,11	19,67	43,36						
9433	G				RL	25÷35	55,12÷77,16	3000	118,11	21,11	46,54						

9411	G				RL	60÷70	132,28÷132,28	2500	98,43	25,56	56,35
9412	G				RL	70÷80	132,28÷176,37	2500	98,43	26,75	58,97
9413	G				RL	80÷90	176,37÷198,42	2500	98,43	27,90	61,51
9414	G				RL	90÷100	198,42÷220,46	2500	98,43	28,46	62,74

9434	G				RL	35÷45	77,16÷99,21	3000	118,11	24,46	53,93
9435	G				RL	40÷50	88,18÷110,23	3000	118,11	23,65	52,14
9436	G				RL	50÷60	110,23÷132,28	3000	118,11	24,69	54,43
9441	G				RL	60÷70	132,28÷132,28	3000	118,11	25,56	56,35
9442	G				RL	70÷80	132,28÷176,37	3000	118,11	26,75	58,97
9443	G				RL	80÷90	176,37÷198,42	3000	118,11	27,90	61,51
9444	G				RL	80÷100	176,37÷220,46	3000	118,11	28,46	62,74

9422	G				RL	100÷120	220,46÷264,56	2500	98,43	36,61	80,73
9423	G				RL	120÷140	264,56÷308,65	2500	98,43	38,51	84,9
9424	G				RL	130÷150	308,65÷330,69	2500	98,43	38,83	85,61
9425	G				RL	140÷160	330,69÷352,74	2500	98,43	40,90	90,17
9426	G				RL	160÷180	352,74÷396,83	2500	98,43	43,20	95,24

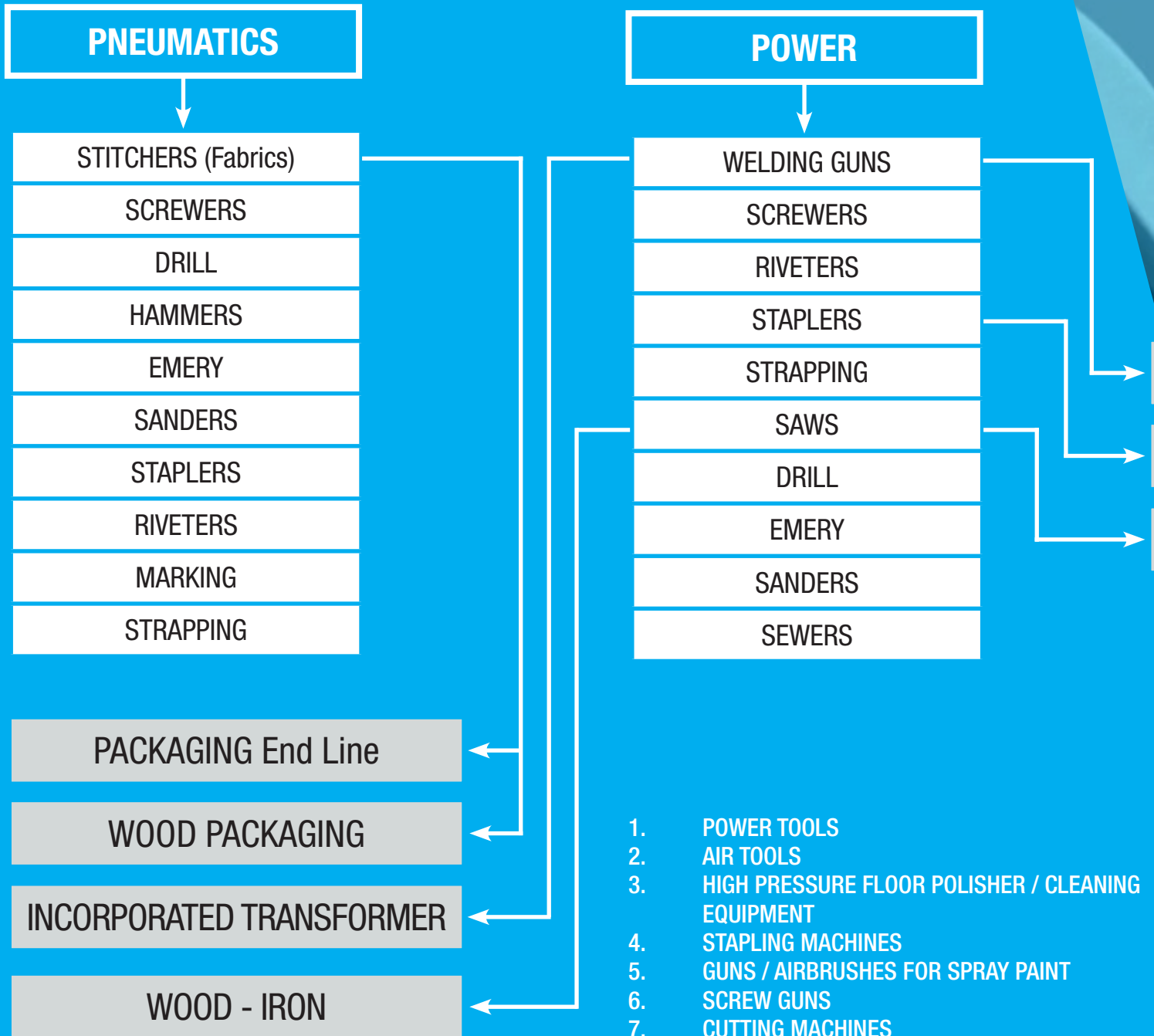
9451	G				RL	100÷115	220,46÷253,53	3000	118,11	36,61	80,71
9452	G				RL	115÷130	253,53÷308,65	3000	118,11	36,77	81,06
9453	G				RL	130÷140	308,65÷330,69	3000	118,11	38,51	84,9
9454	G				RL	140÷150	330,69÷330,69	3000	118,11	38,83	85,61
9455	G				RL	150÷160	330,69÷352,74	3000	118,11	40,90	90,17
9456	G				RL	160÷180	352,74÷396,83	3000	118,11	43,20	95,24

9502			AX	ESD	RL	20÷30	44,10÷66,14	2100	82,68	12,60	27,78
9503			AX	ESD	RL	30÷40	66,14÷88,18	2100	82,68	15,20	33,51
9504			AX	ESD	RL	40÷50	88,18÷110,23	2100	82,68	15,50	34,17
9505			AX	ESD	RL	50÷60	110,23÷132,28	2100	82,68	16,70	36,82
9506			AX	ESD	RL	60÷70	132,28÷132,28	2100	82,68	15,50	34,17
9507			AX	ESD	RL	70÷80	132,28÷176,37	2100	82,68	17,70	39,02
9508			AX	ESD	RL	80÷90	176,37÷198,42	2100	82,68	16,20	35,71
9509			AX	ESD	RL	80÷100	176,37÷220,46	2100	82,68	16,80	37,04

9520			AX	ESD	RL	12÷20	26,46÷44,10	2700	106,3	12,80	28,22
9521			AX	ESD	RL	20÷30	44,10÷66,14	2700	106,3	12,60	27,78
9522			AX	ESD	RL	30÷40	66,14÷88,18	2700	106,3	15,80	34,83
9523			AX	ESD	RL	40÷50	88,18÷110,23	2700	106,3	15,40	33,95
9524			AX	ESD	RL	50÷60	110,23÷132,28	2700	106,3	16,60	36,6
9525			AX	ESD	RL	60÷70	132,28÷132,28	2700	106,3	15,70	34,61

9200						0,4÷0,8	0,88÷1,76	1350	53,15	1,10	2,43
9201						0,75÷1,5	1,65÷3,31	1350	53,15	1,10	2,43
9202						1,2÷2,5	2,65÷5,51	1350	53,15	1,30	2,87
9203						3÷5	6,61÷11,02	900	35,43	1,30	2,87

# APPLICATION LIST



1. POWER TOOLS
2. AIR TOOLS
3. HIGH PRESSURE FLOOR POLISHER / CLEANING EQUIPMENT
4. STAPLING MACHINES
5. GUNS / AIRBRUSHES FOR SPRAY PAINT
6. SCREW GUNS
7. CUTTING MACHINES
8. NAILING MACHINES
9. TYING TOOLS FOR CABLES
10. SOLDERING IRONS
11. MARKER MACHINES
12. RIVETERS
13. MACHINES FOR CELLARS
14. BOTTLING MACHINES
15. SHEET WELDING MACHINES
16. PUSH-BUTTON PANELS FOR CRANES
17. SUCTION SYSTEMS
18. EXHAUST GAS / COMBUSTION HOSES
19. ADJUSTABLE ARMS
20. ROBOT SUPPLY CABLES
21. X-RAY TOOLS & MEDICAL EQUIPMENT
22. ROBOT FOR DIMENSIONAL CONTROL

## HYDRAULIC

RIVETERS

CLINCIATRICI

HYDRAULIC WRENCHES

SEPARATE TRANSFORMER

PACKING CARTONS

SLAUGHTER

## SPECIAL APPLICATIONS

IRONS

VACUUM CLEANERS

SPORTS TOOLS

CLOSE DOOR

CABLE GUIDE

FUEL PUMPS

GARDENING

LEATHER PROCESSING

EV CHARGING STATIONS

FOOD&MEAT PROCESSING

ROBOTICS & AUTOMATION

LOGISTICS

TANK WASHING

23. TOOLS FOR SLAUGHTERHOUSES
24. TOOLS FOR WORKING THE ROCKS
25. CONVEYOR BELTS AND RAILS
26. POWER SUPPLY BUSBARS
27. TOOLS FOR WORKING WOOD
28. SUBMERSIBLE PUMPS AND STIRRERS
29. INDUSTRIAL SEWING MACHINES
30. TOOLS FOR PACKING
31. WELDING GUNS
32. WELDING JIGS
33. CALLIPERS FOR HOLES AND MICROMETERS
34. CABLE HOLDER IN ELECTRIC CABINS
35. MONITOR SUSPENSION
36. PIPES FOR PETROL PUMPS
37. HOSES FOR GAS PUMPS
38. FILLING MACHINES FOR THE FOOD INDUSTRY
39. SUSPENSION OF EQUIPMENT FOR LEATHER PROCESSING
40. ELECTRICAL AND PNEUMATIC STAPLERS
41. AIRBRUSHES AND GUNS FOR PAINTING
42. RIVETERS
43. STRAPPING
44. PHOTOGRAPHY/CINEMA/THEATRE
45. REHAB EQUIPMENT

... for all kind  
of tools

# TECNA Balancers Lines



*Precision tailored for every work environment  
Elevate your efficiency across industries!*



# TECNA<sup>®</sup>

Resistance Welding Systems & Balancers



Via Meucci, 27  
40024 - Castel San Pietro Terme (BO)  
Italy

Tel. +39 051 695 4411

Fax +39 051 654 4490

[vendite@tecna.net](mailto:vendite@tecna.net)

[sales@tecna.net](mailto:sales@tecna.net)



[www.tecna.net](http://www.tecna.net)

