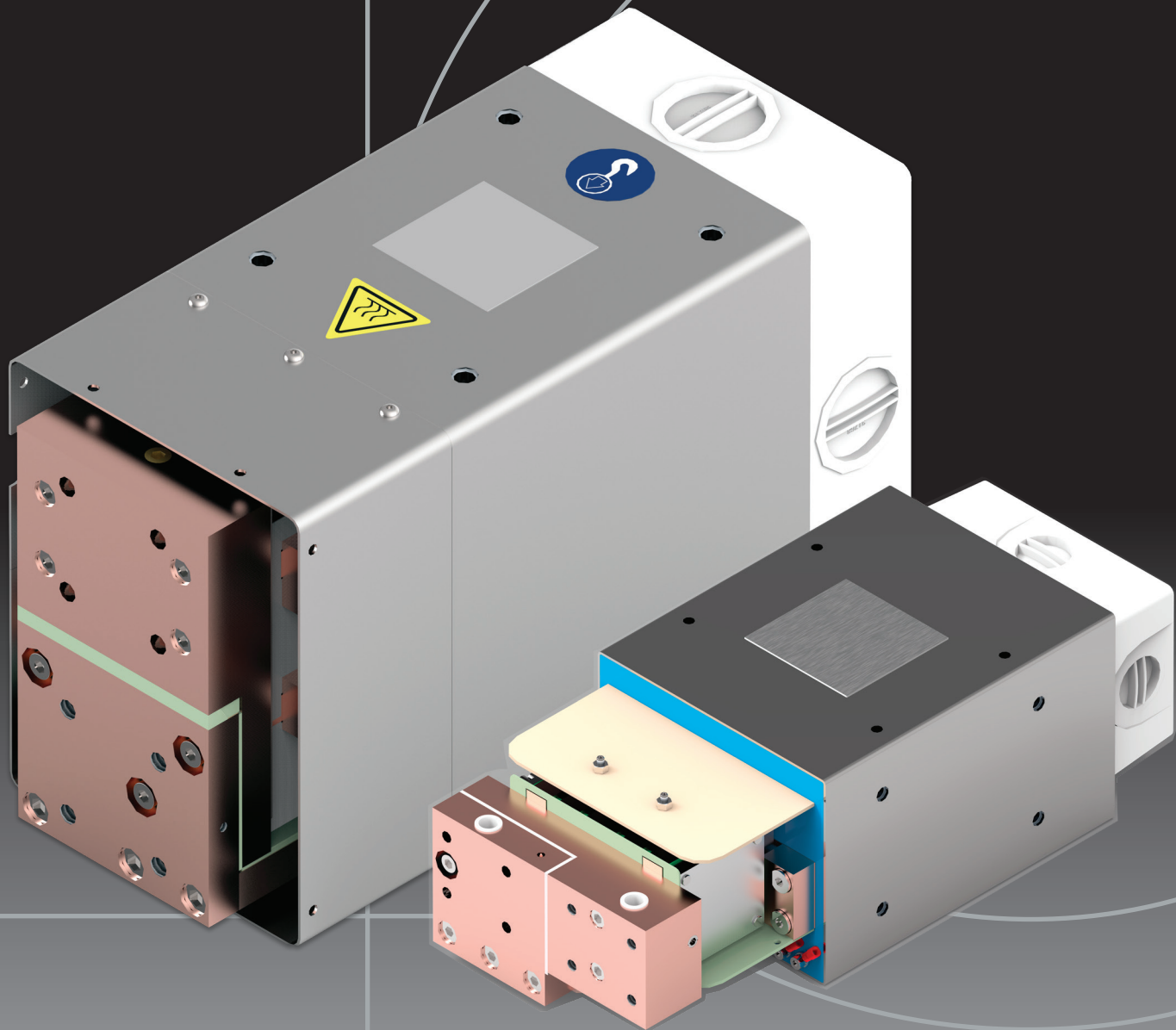


# TECNA<sup>®</sup>

Resistance Welding Systems & Balancers



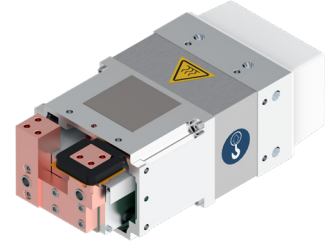
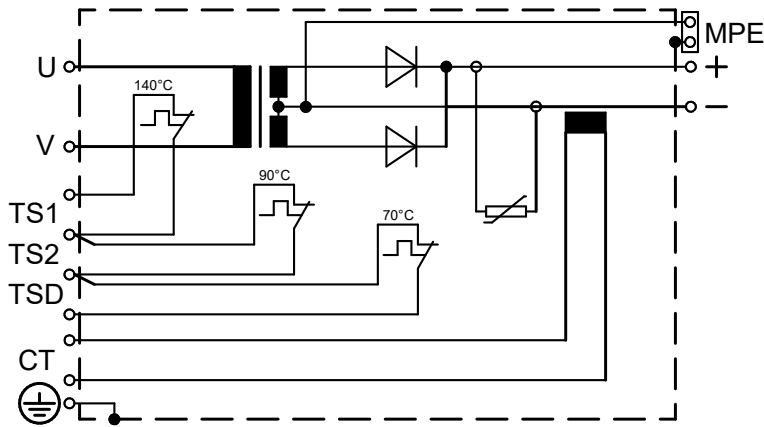
## General Catalogue Inverter Transformers



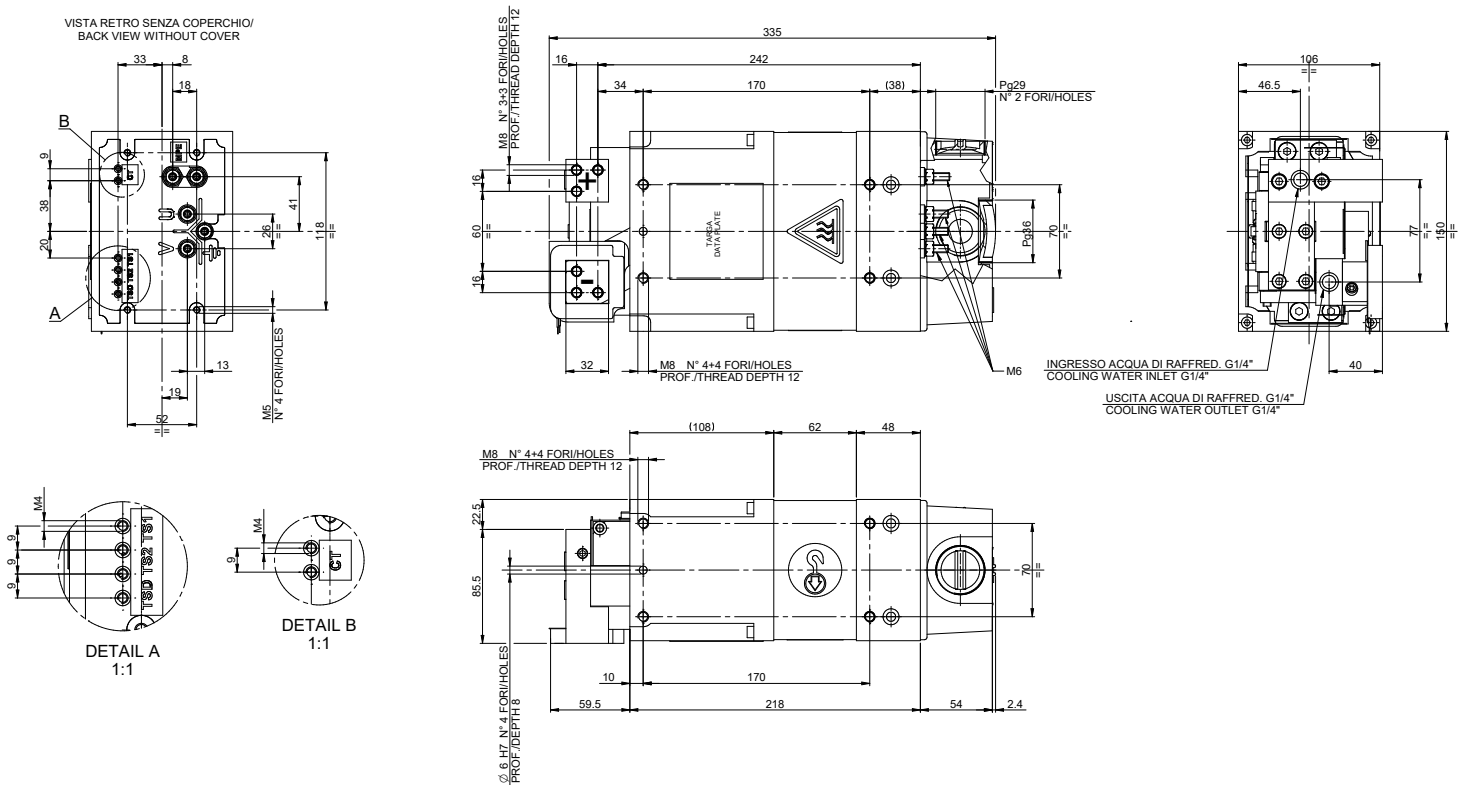
[www.tecna.net](http://www.tecna.net)

EN

electrical diagram



technical dimensions

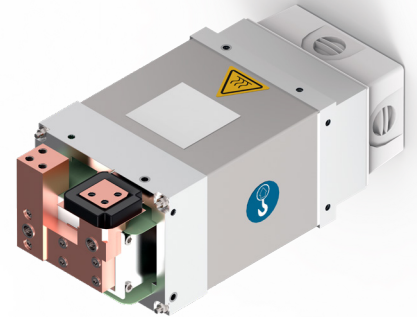
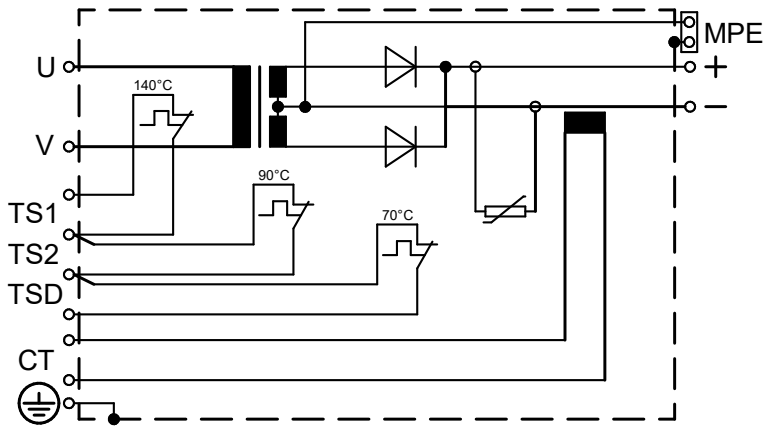


technical data

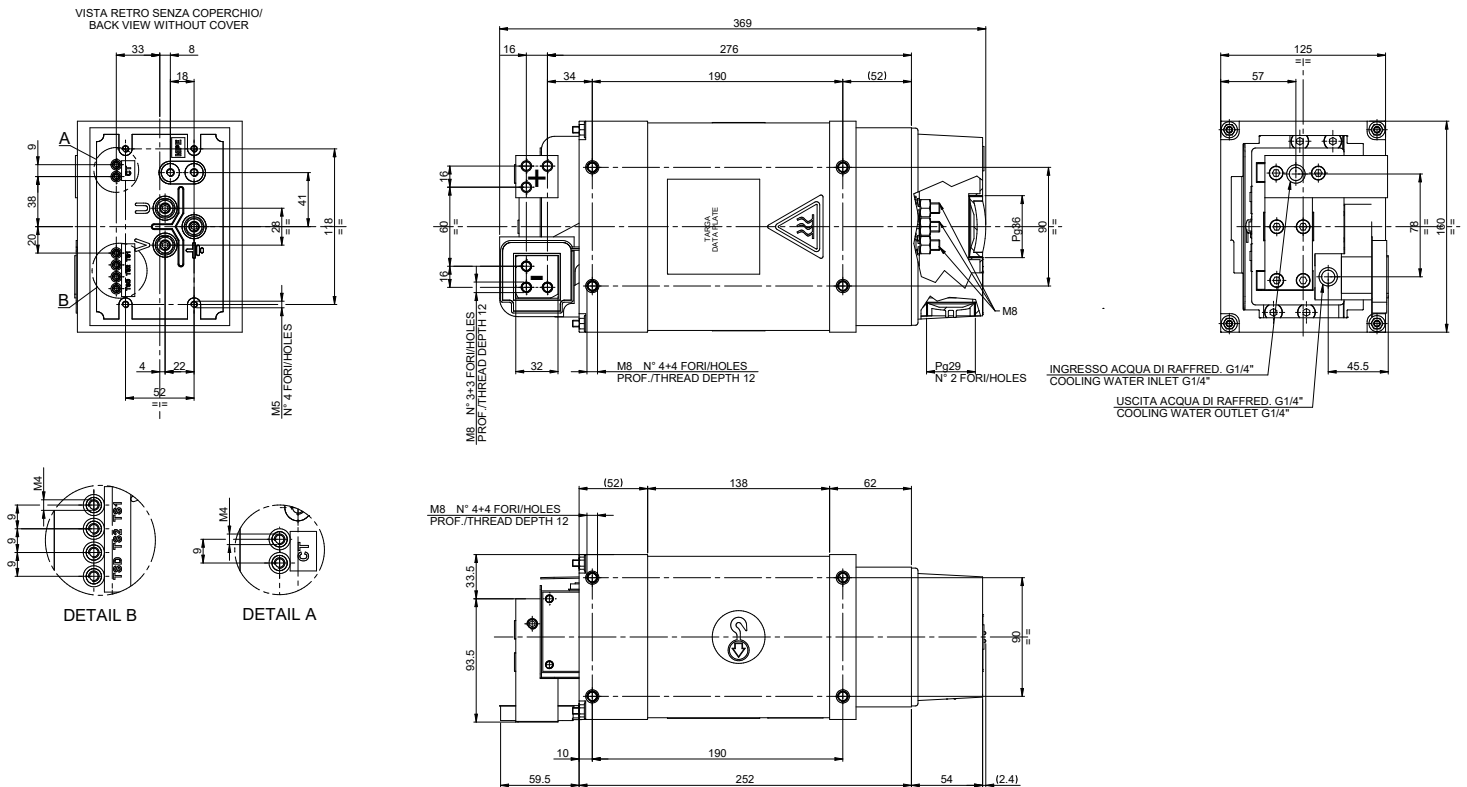
art	S <sub>50%</sub> kVA	S <sub>20%</sub> kVA	U <sub>1N</sub> /Freq. Volt/Hz	S <sub>1P</sub> kVA	I <sub>1P</sub> A	U <sub>2d</sub>				I <sub>2P</sub> kA	Q l/min	ΔP bar	COLOR	m kg
						V	V	V	V					
39965	56	89	500/1000	39.6	-	8.4	-	-	-	4.9	6	0.5	-	16

TECNA S.p.A. Specifications subject to change without notice.

electrical diagram



technical dimensions

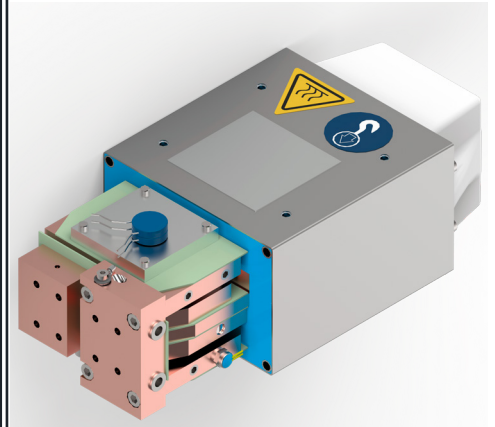
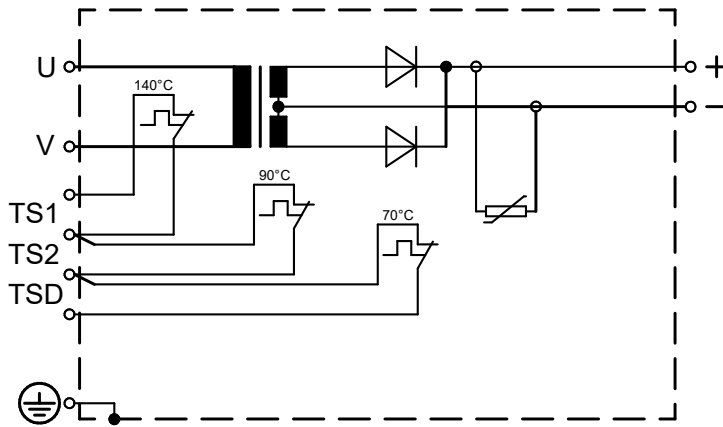


technical data

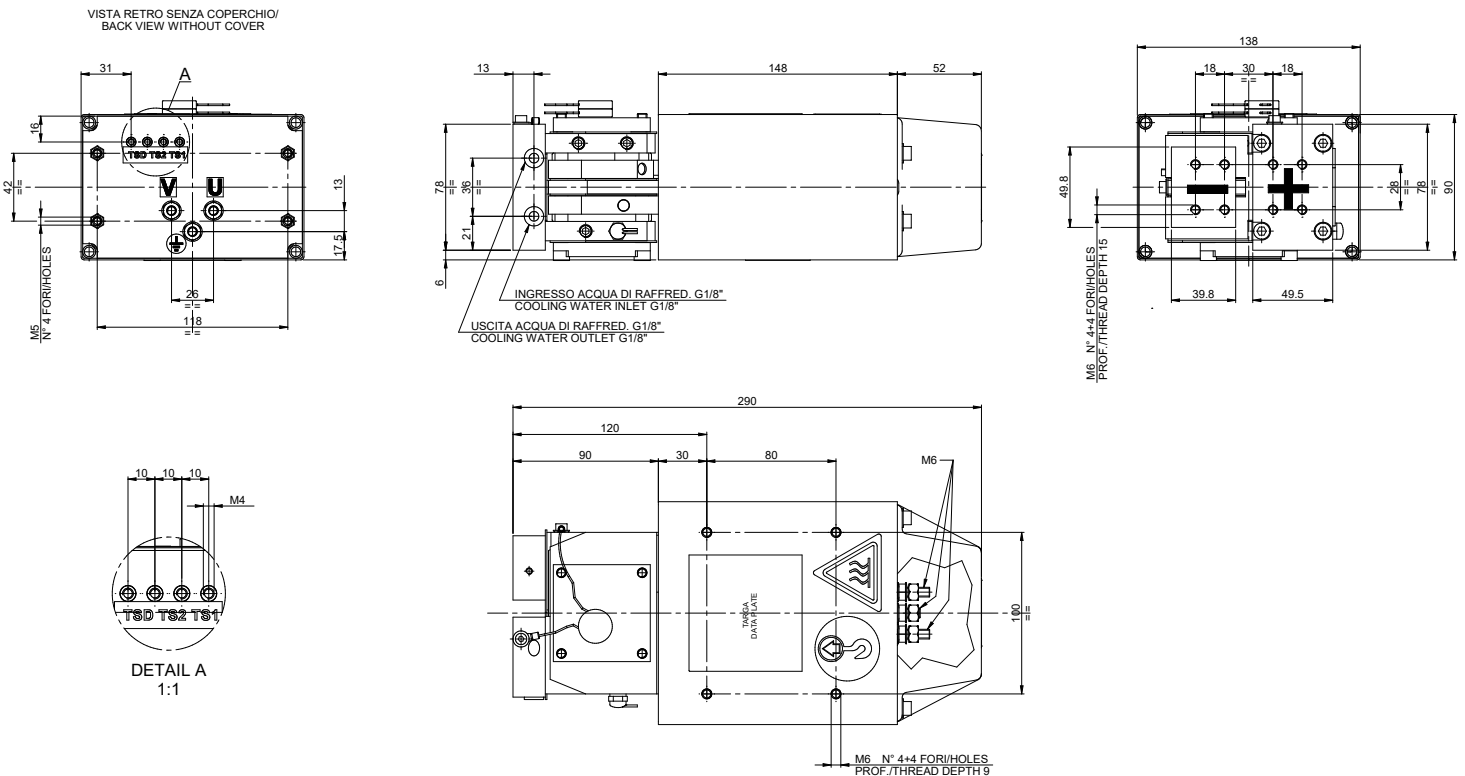
art	S <sub>50%</sub> kVA	S <sub>20%</sub> kVA	U <sub>1N</sub> /Freq. Volt/Hz	S <sub>1P</sub> kVA	I <sub>1p</sub> A	U <sub>2d</sub>				I <sub>2P</sub> kA	Q l/min	ΔP bar	COLOR	m kg
						V	V	V	V					
40090	90	142	500/1000	63.6	180	9.9	-	-	-	6.1	6	0.5	-	24,5

TECNA S.p.A. Specifications subject to change without notice.

electrical diagram



technical dimensions

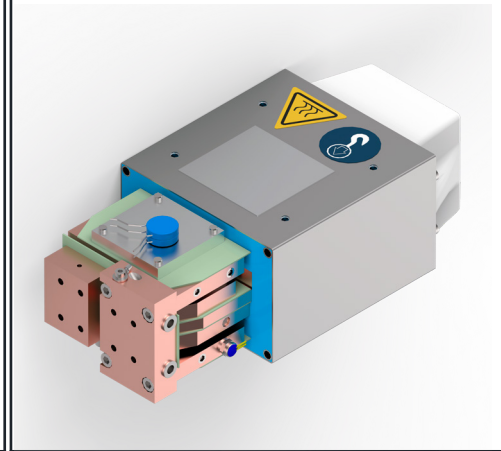
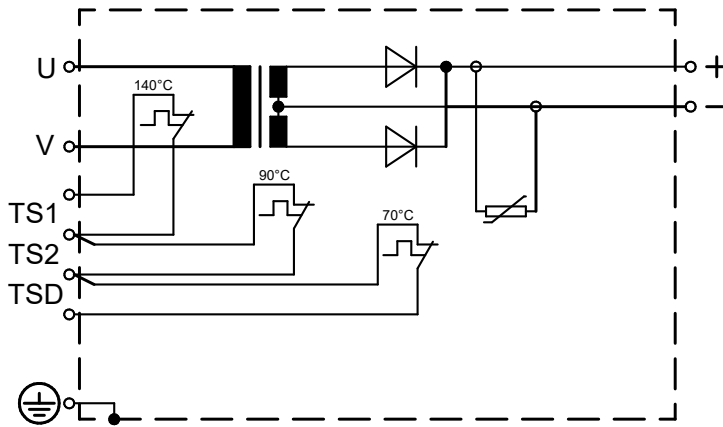


technical data

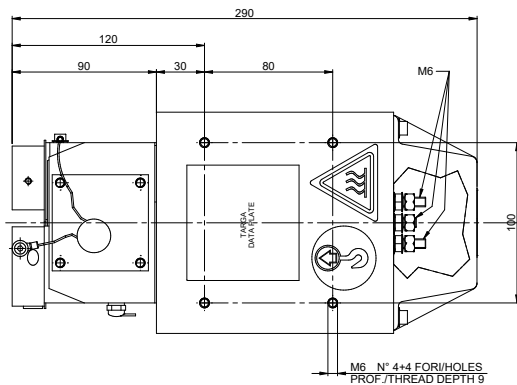
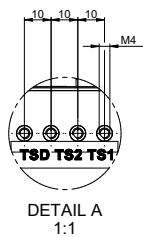
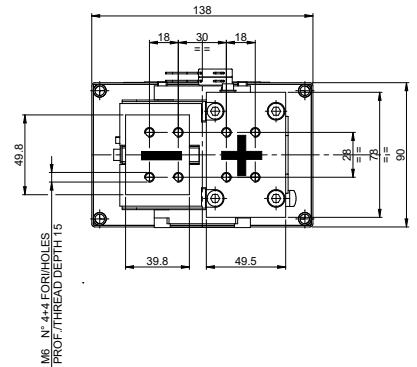
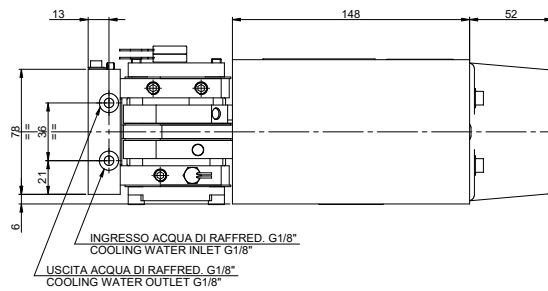
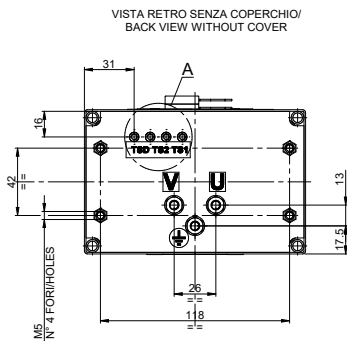
art	S <sub>50%</sub>	S <sub>20%</sub>	U <sub>1N</sub> /Freq.	S <sub>1P</sub>	I <sub>1P</sub>	U <sub>2d</sub>				I <sub>2P</sub>	Q	ΔP	COLOR	m
	kVA	kVA	Volt/Hz	kVA	A	V	V	V	V	kA	l/min	bar		kg
37901	35	55	500/1000	24.7	--	6.1	-	-	-	3.7	4	1.6	-	12,1

TECNA S.p.A. Specifications subject to change without notice.

electrical diagram



technical dimensions

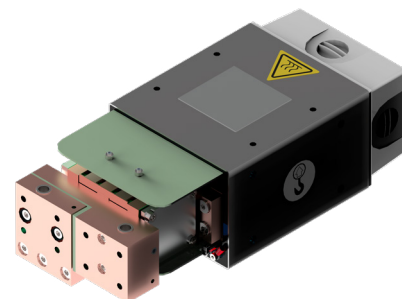
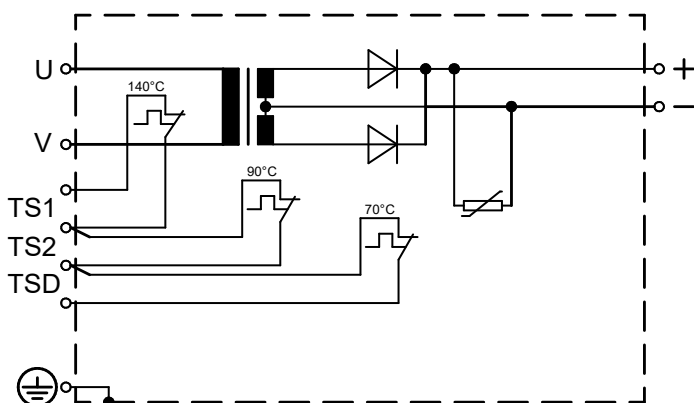


technical data

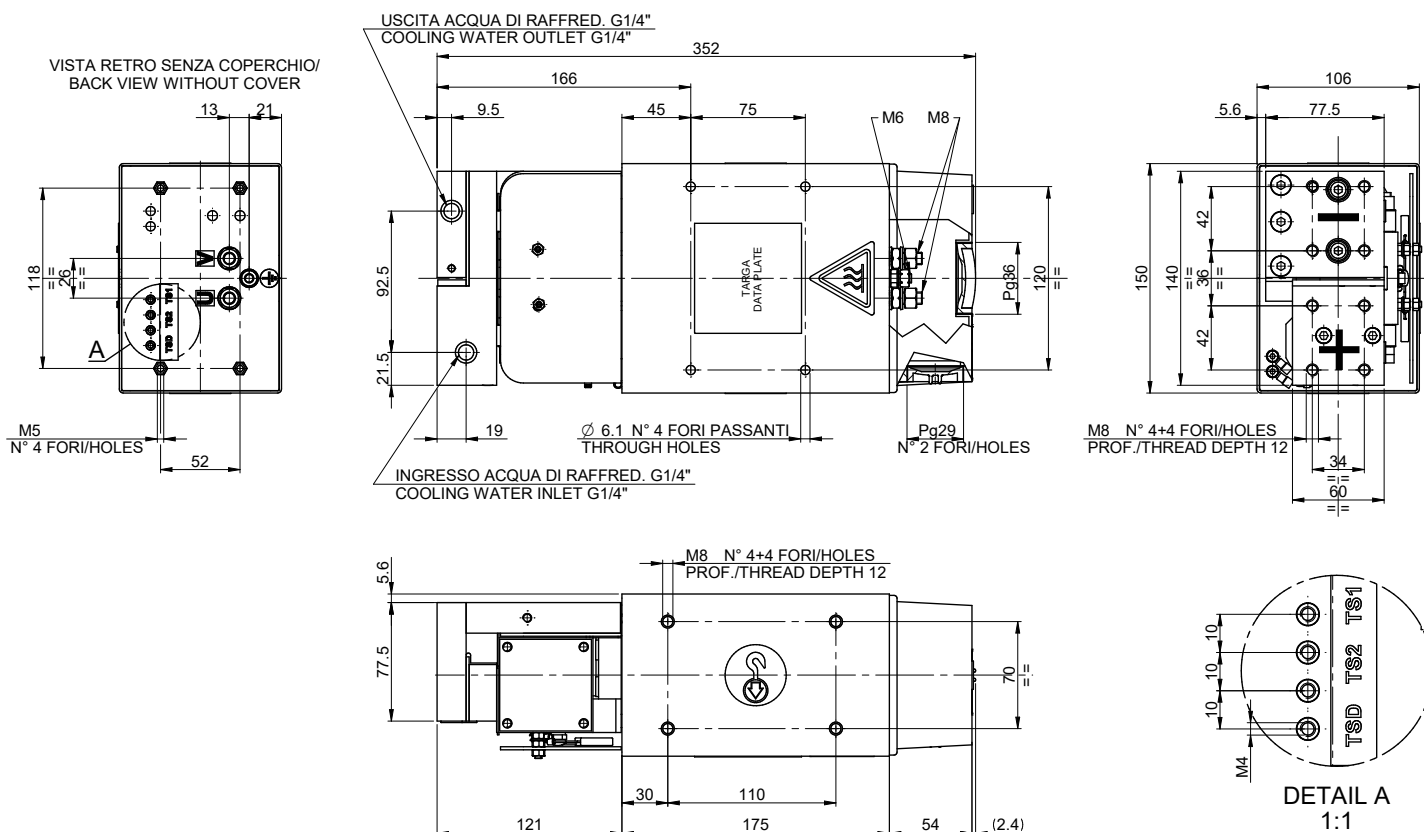
art	S <sub>50%</sub>	S <sub>20%</sub>	U <sub>1N</sub> /Freq.	S <sub>1P</sub>	I <sub>1p</sub>	U <sub>2d</sub>				I <sub>2P</sub>	Q	ΔP	COLOR	m
	kVA	kVA	Volt/Hz	kVA	A	V	V	V	V	kA	l/min	bar		kg
43737	51	81	500/1000	36	--	6.1	-	-	-	5.41	4	1.6	-	12,1

TECNA S.p.A. Specifications subject to change without notice.

electrical diagram



technical dimensions



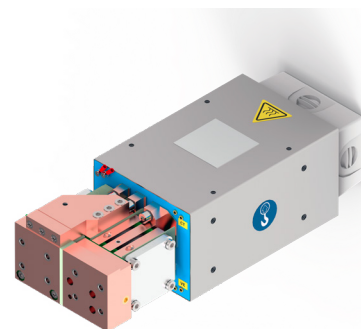
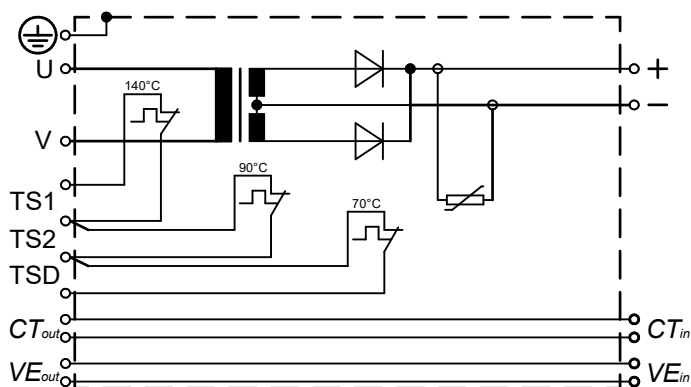
technical data

art	S <sub>50%</sub> kVA	S <sub>20%</sub> kVA	U <sub>1N</sub> /Freq. Volt/Hz	S <sub>1P</sub> kVA	I <sub>1p</sub> A	U <sub>2d</sub>				I <sub>2P</sub> kA	Q l/min	ΔP bar	COLOR	m kg
						V	V	V	V					
40138	56	89	500/1000	39.6	-	8.4	-	-	-	4.8	6	0.5	-	19,7

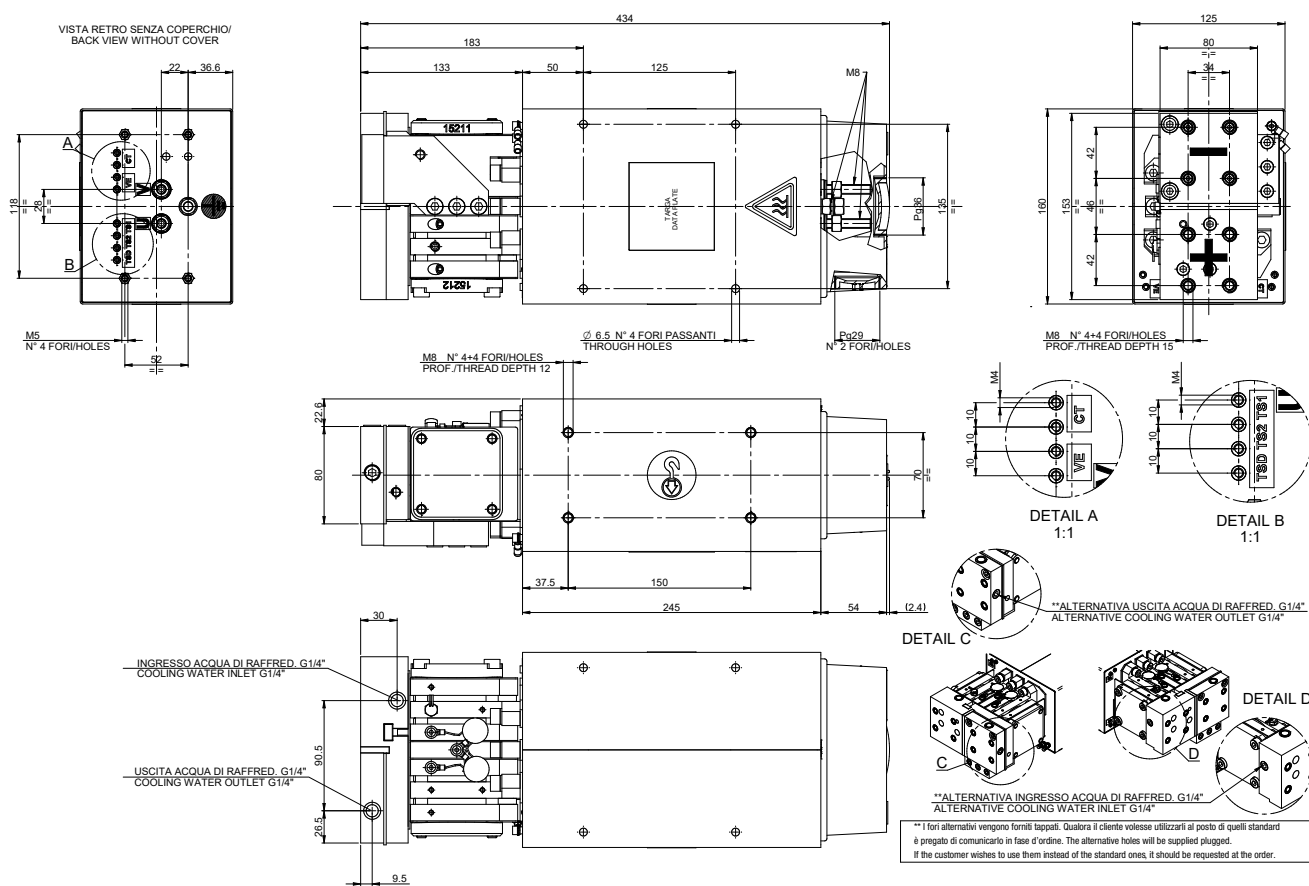
TECNA S.p.A. Specifications subject to change without notice.



electrical diagram



technical dimensions

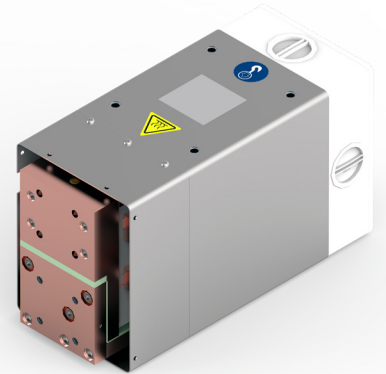
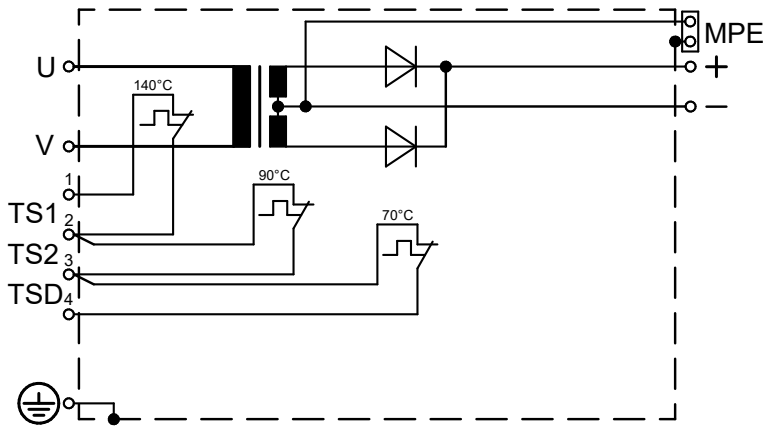


technical data

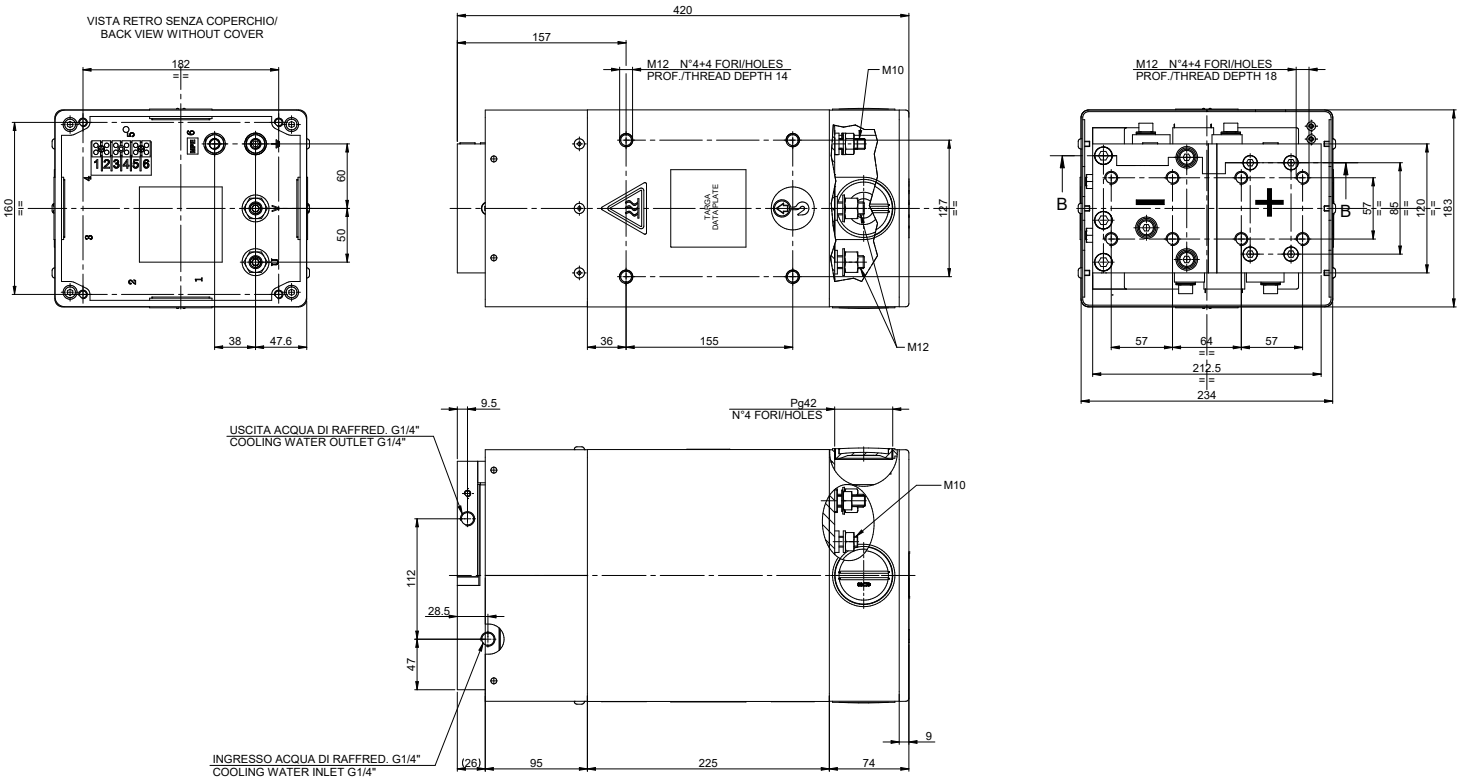
art	S <sub>50%</sub> kVA	S <sub>20%</sub> kVA	U <sub>1N</sub> /Freq. Volt/Hz	S <sub>1P</sub> kVA	I <sub>1P</sub> A	U <sub>2d</sub>				I <sub>2P</sub> kA	Q l/min	ΔP bar	COLOR	m kg
						V	V	V	V					
37610	160	253	500/1000	113.1	-	12.3	-	-	-	8.82	8	0.5	-	31,8

TECNA S.p.A. Specifications subject to change without notice.

electrical diagram



technical dimensions

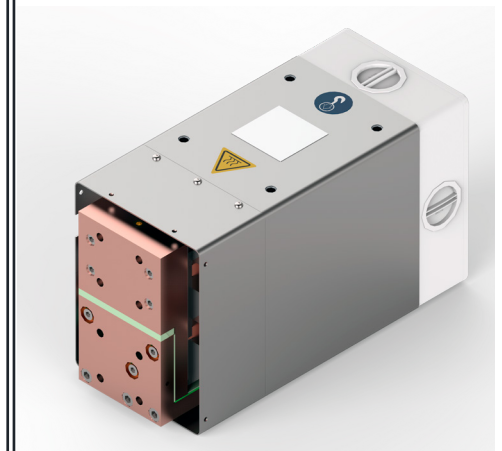
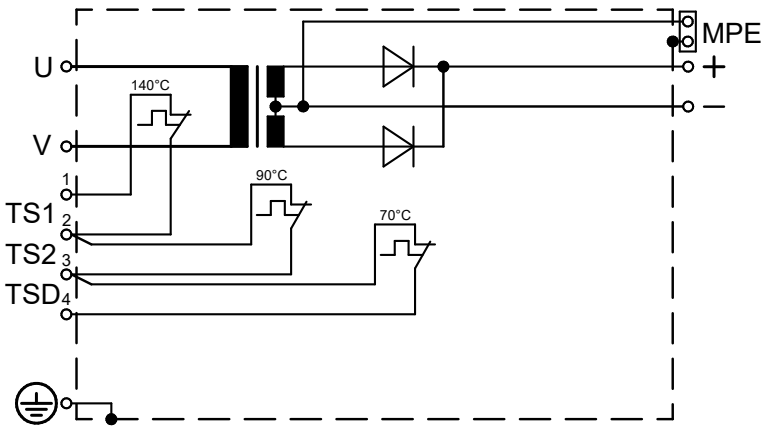


technical data

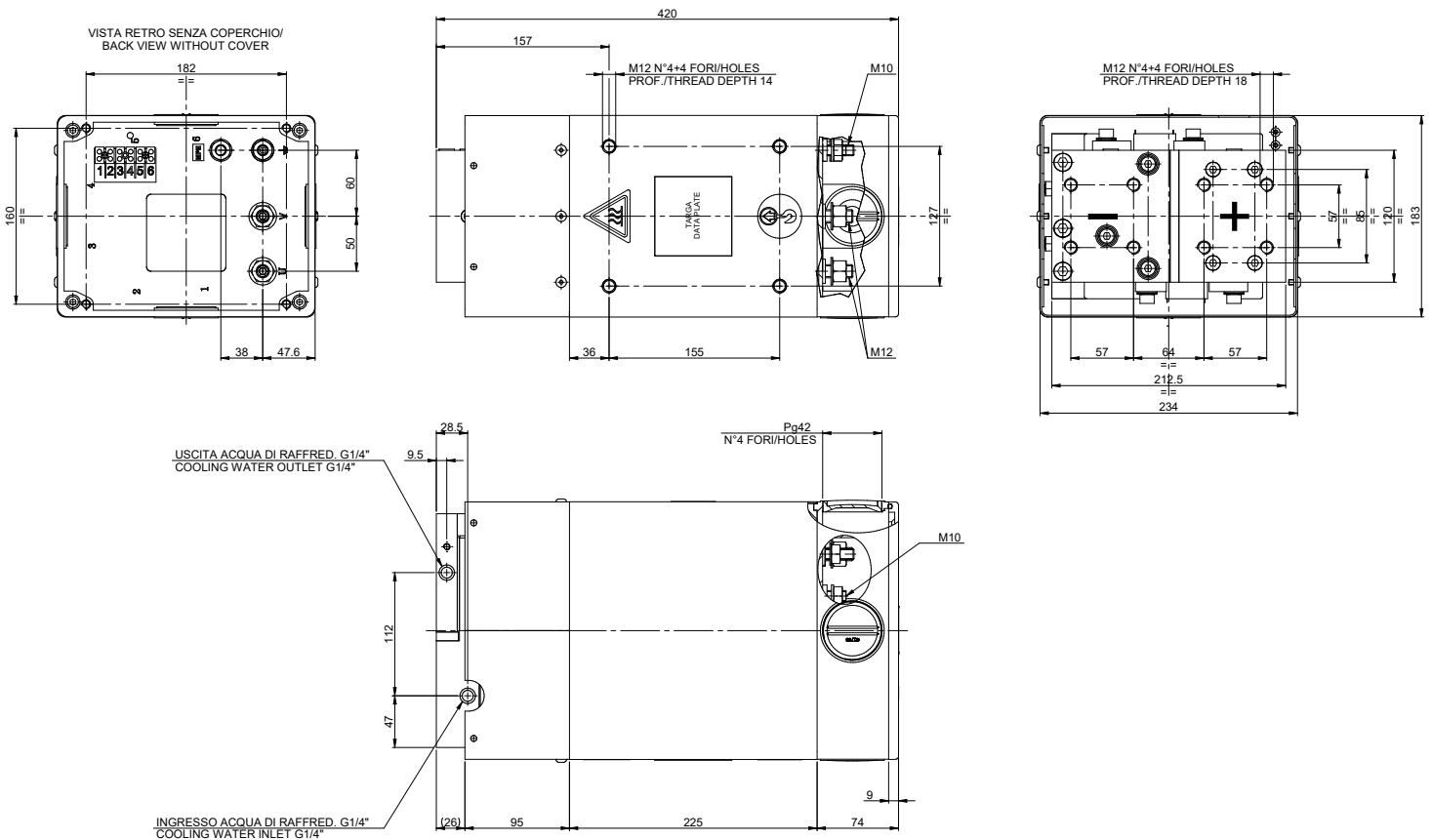
art	S <sub>50%</sub> kVA	S <sub>20%</sub> kVA	U <sub>1N</sub> /Freq. Volt/Hz	S <sub>1P</sub> kVA	I <sub>1p</sub> A	U <sub>2d</sub>				I <sub>2P</sub> kA	Q l/min	ΔP bar	COLOR	m kg
						V	V	V	V					
40314	200	316	500/1000	141	-	10.4	-	-	-	13	12	1.8	-	63.4

TECNA S.p.A. Specifications subject to change without notice.

electrical diagram



technical dimensions



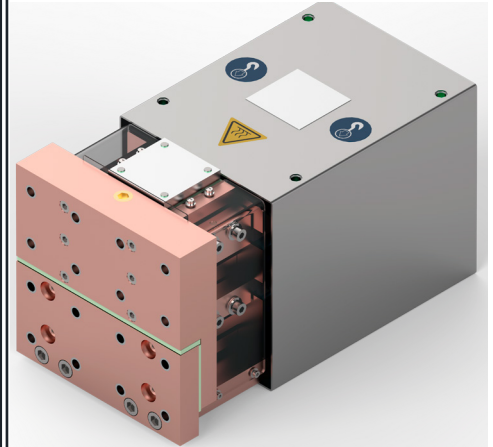
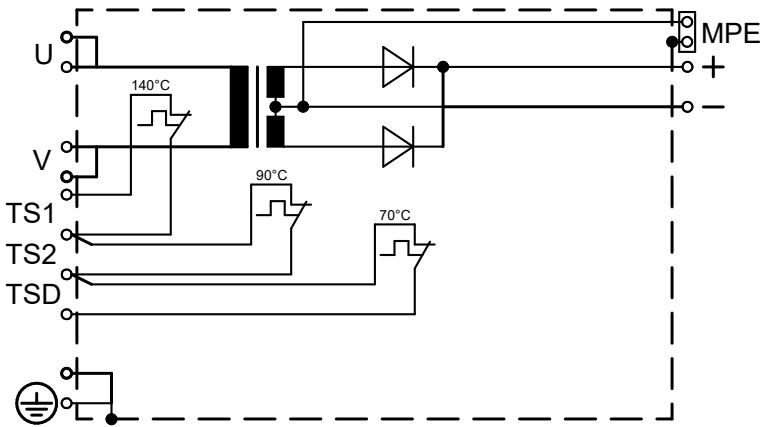
technical data

art	S <sub>50%</sub> kVA	S <sub>20%</sub> kVA	U <sub>1N</sub> /Freq. Volt/Hz	S <sub>1P</sub> kVA	I <sub>1p</sub> A	U <sub>2d</sub>				I <sub>2P</sub> kA	Q l/min	ΔP bar	COLOR	m kg
						V	V	V	V					
4000016026	200	316	600/1000	141	--	12.5	-	-	-	10.8	12	1.8	-	63,4

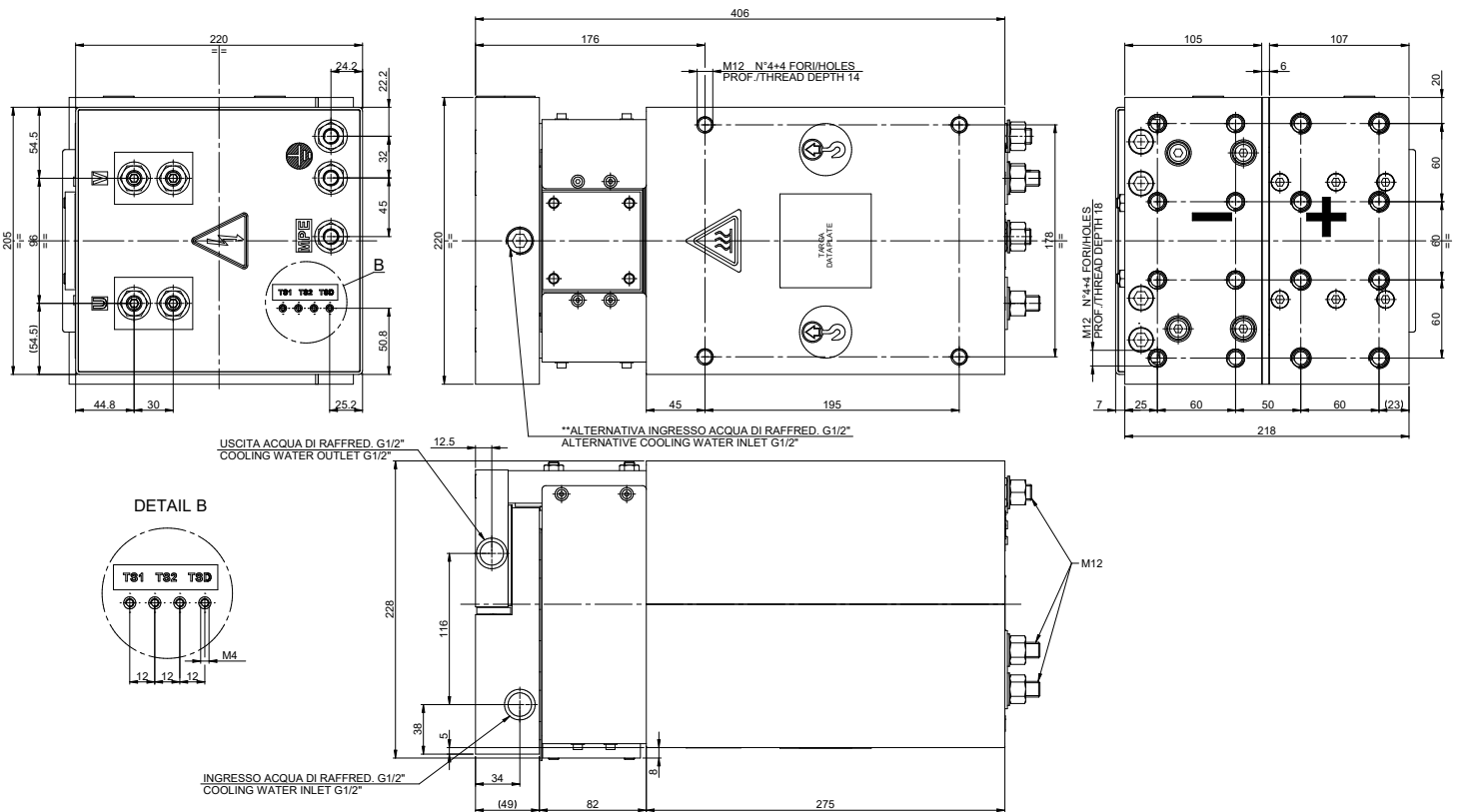
TECNA S.p.A. Specifications subject to change without notice.



electrical diagram



technical dimensions



technical data

art	S <sub>50%</sub> kVA	S <sub>20%</sub> kVA	U <sub>1N</sub> /Freq. Volt/Hz	S <sub>1P</sub> kVA	I <sub>1p</sub> A	U <sub>2d</sub>				I <sub>2P</sub> kA	Q l/min	ΔP bar	COLOR	m kg
						V	V	V	V					
40291	315	498	500/1000	223	447	12.7	-	-	-	16.92	18	0.8	-	90

TECNA S.p.A. Specifications subject to change without notice.







**TECNA**<sup>®</sup>  
Resistance Welding Systems & Balancers

Via Meucci, 27  
40024 - Castel San Pietro Terme (BO)  
Italy  
Tel. +39 051 695 4411  
Fax +39 051 654 4490  
[vendite@tecna.net](mailto:vendite@tecna.net)  
[sales@tecna.net](mailto:sales@tecna.net)

