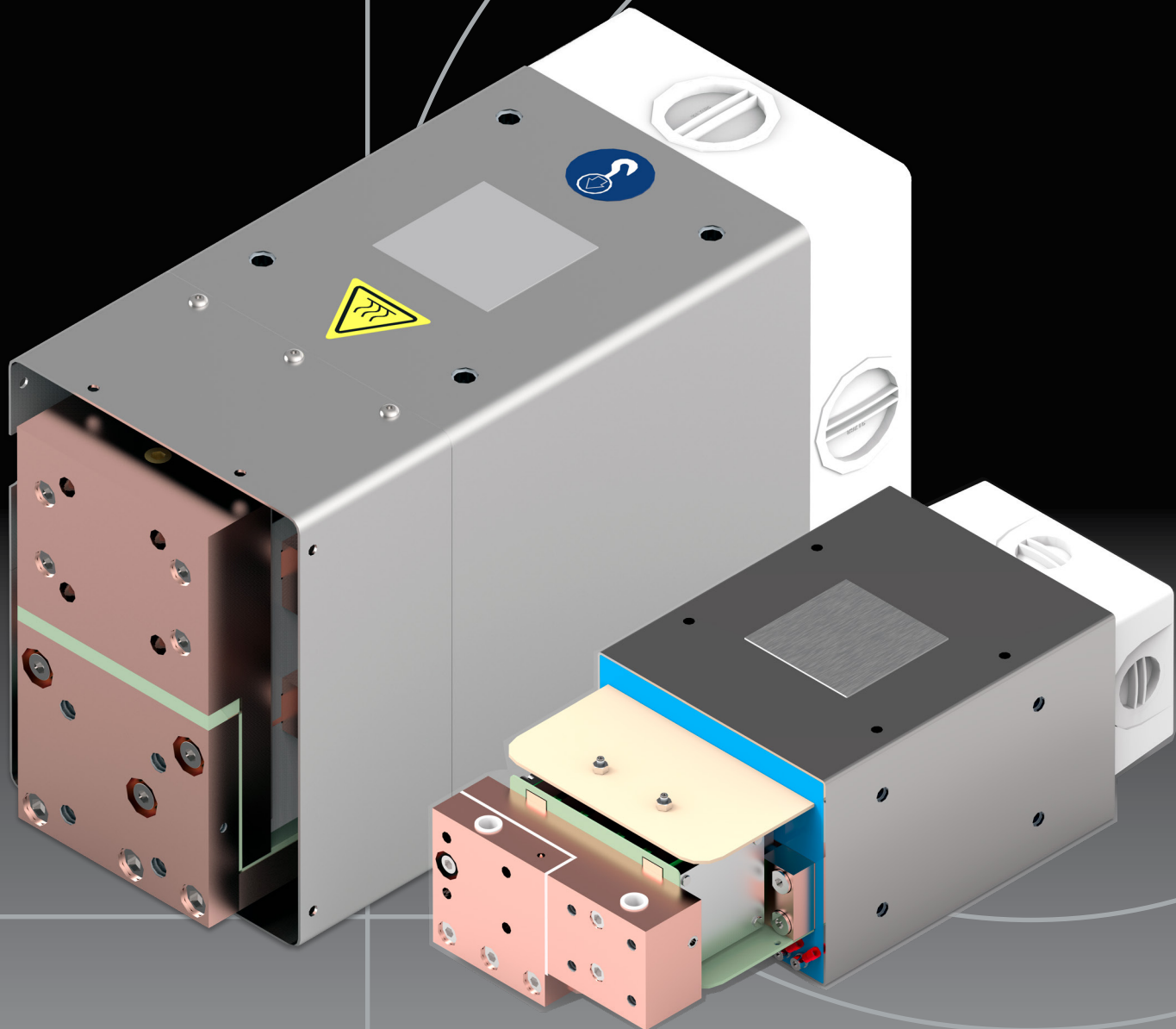


TECNA[®]

Resistance Welding Systems & Balancers

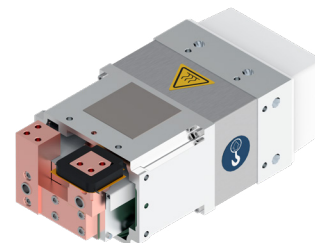
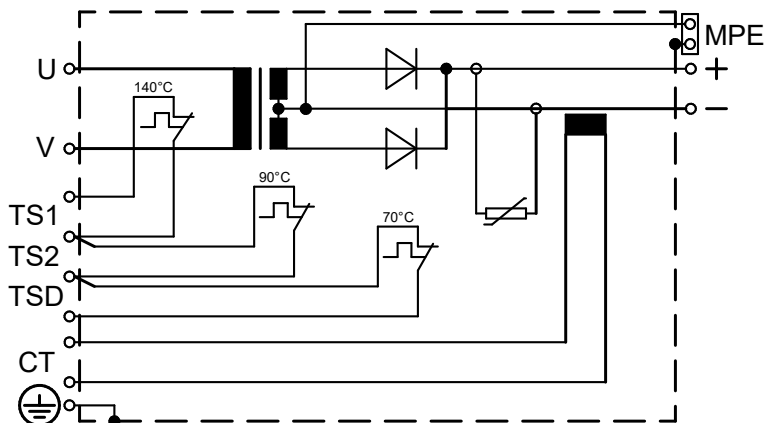


Catalogo Generale Trasformatori Inverter

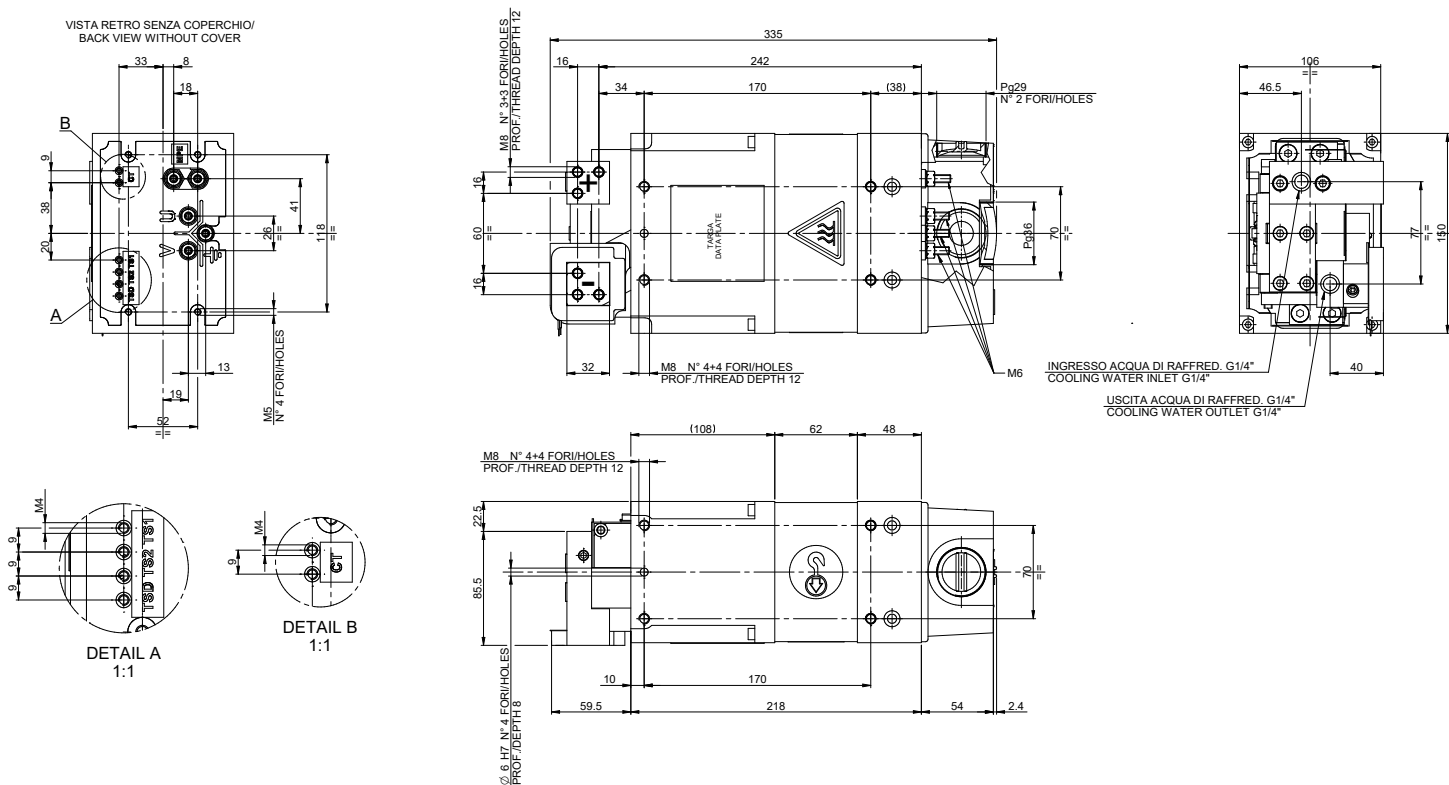


www.tecna.net

electrical diagram



technical dimensions

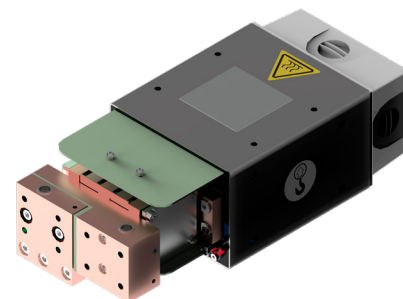
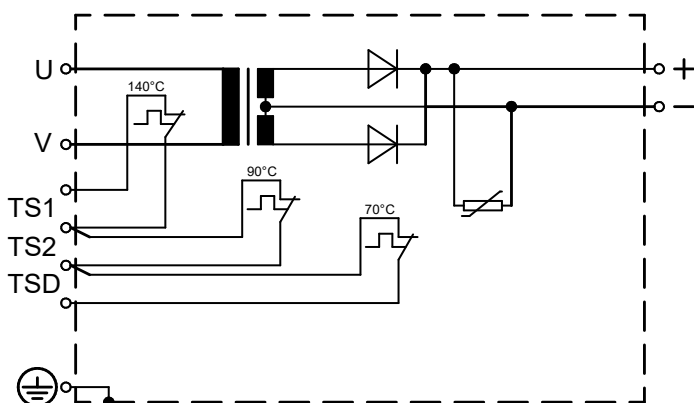


technical data

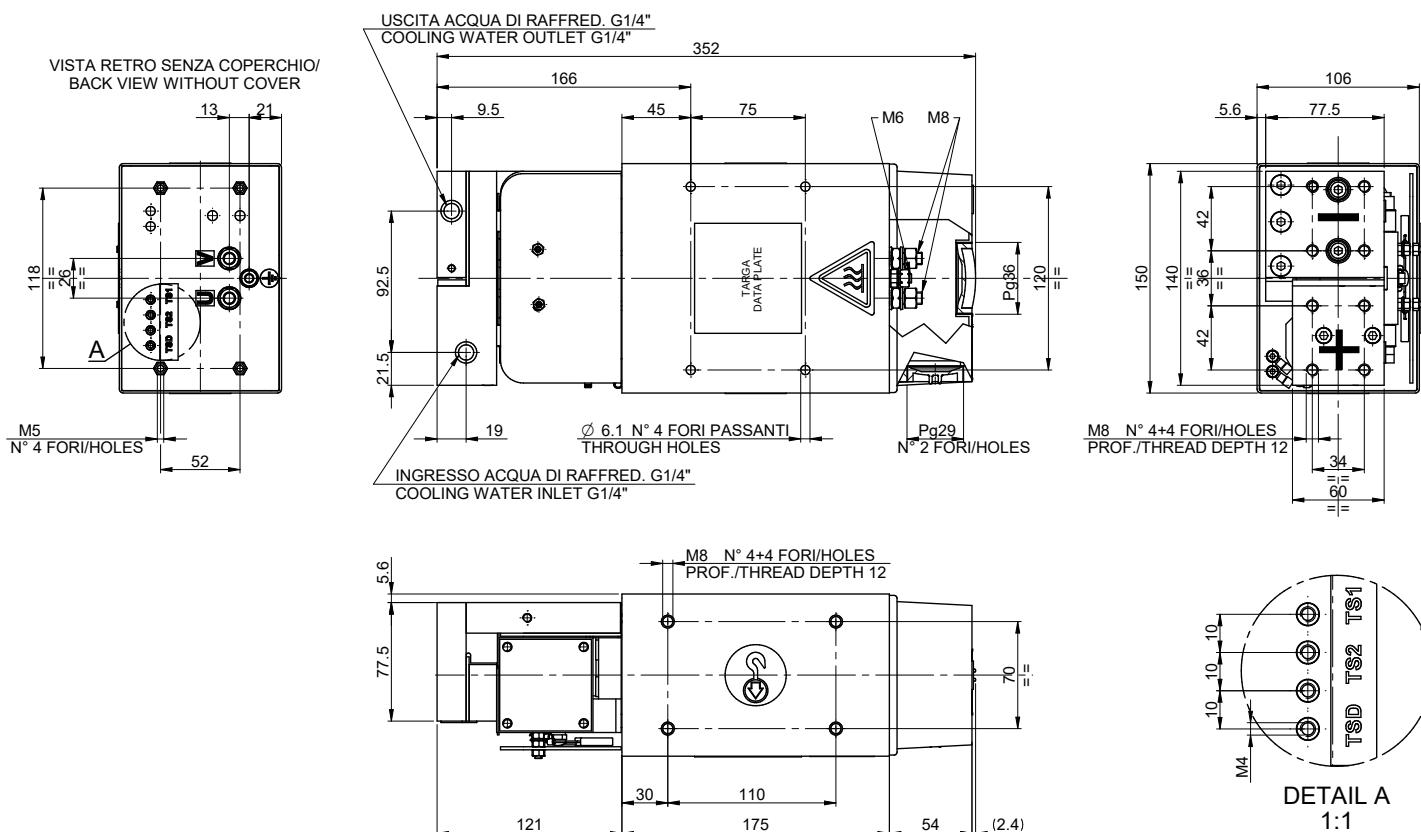
art	S _{50%} kVA	S _{20%} kVA	U _{1N} /Freq. Volt/Hz	S _{1P} kVA	I _{1p} A	U _{2d}				I _{2P} kA	Q l/min	ΔP bar	COLOR	m kg
						V	V	V	V					
39965	56	89	500/1000	39.6	-	8.4	-	-	-	4.9	6	0.5	-	16

TECNA S.p.A. Specifications subject to change without notice.

electrical diagram



technical dimensions

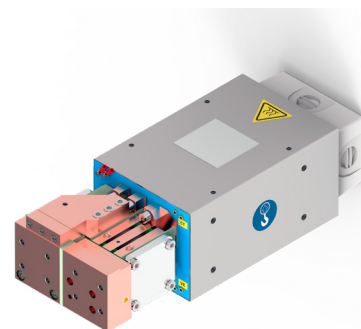
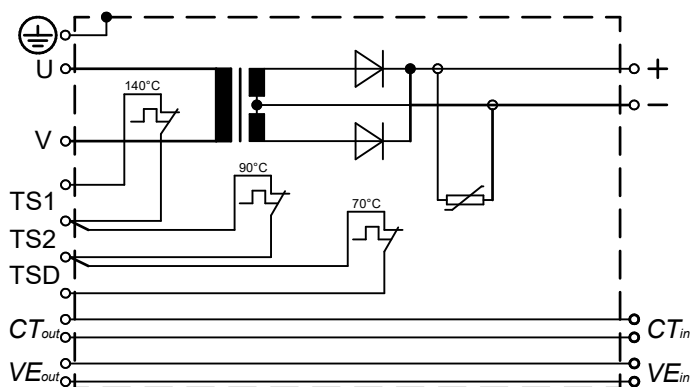


technical data

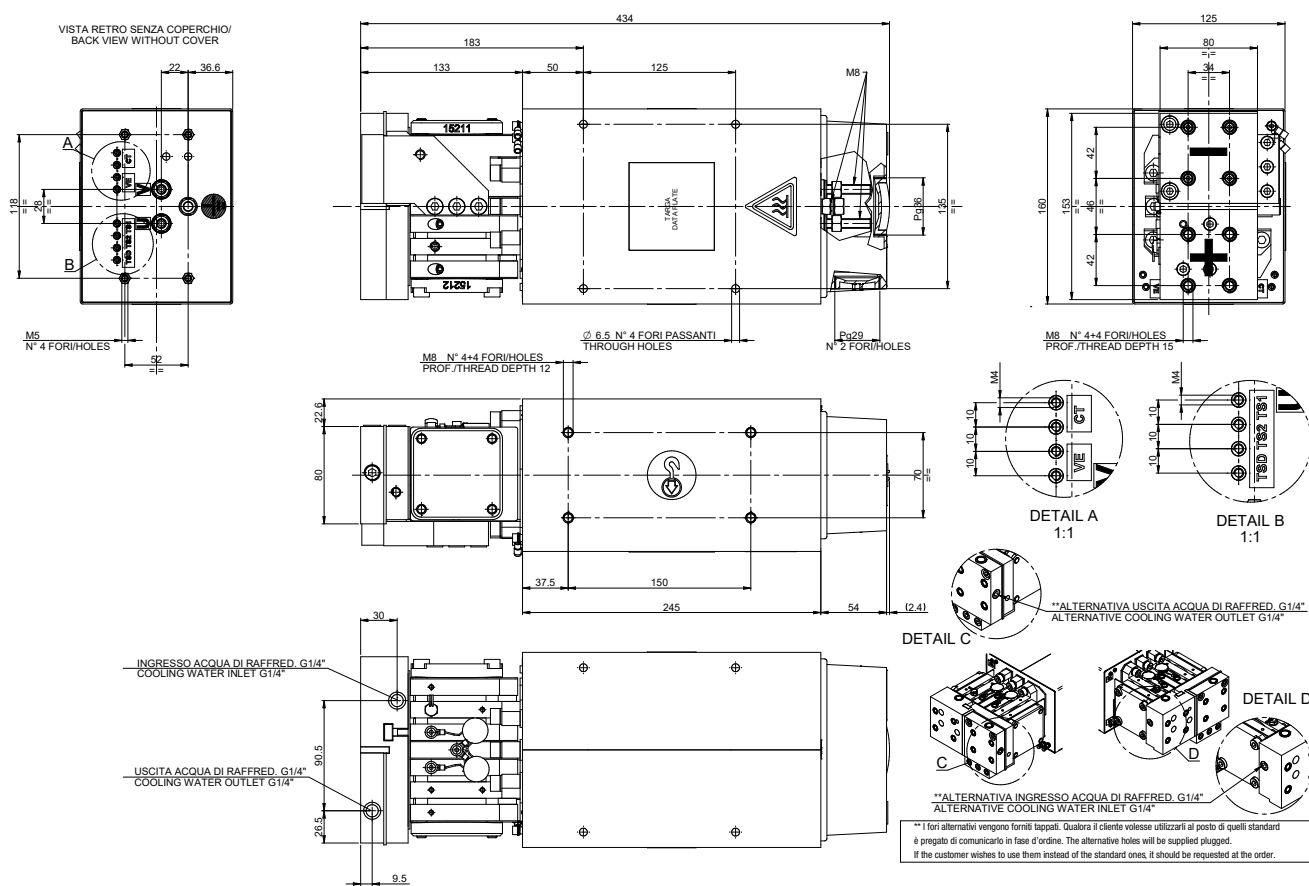
art	S _{50%} kVA	S _{20%} kVA	U _{1N} /Freq. Volt/Hz	S _{1P} kVA	I _{1p} A	U _{2d}				I _{2P} kA	Q l/min	ΔP bar	COLOR	m kg
						V	V	V	V					
40138	56	89	500/1000	39.6	-	8.4	-	-	-	4.8	6	0.5	-	19,7

TECNA S.p.A. Specifications subject to change without notice.

electrical diagram



technical dimensions

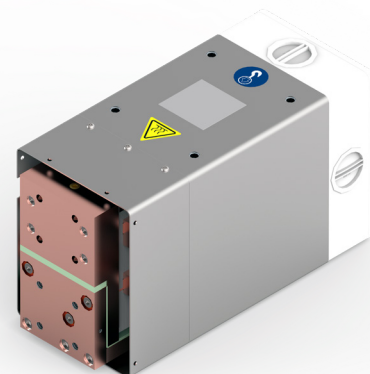
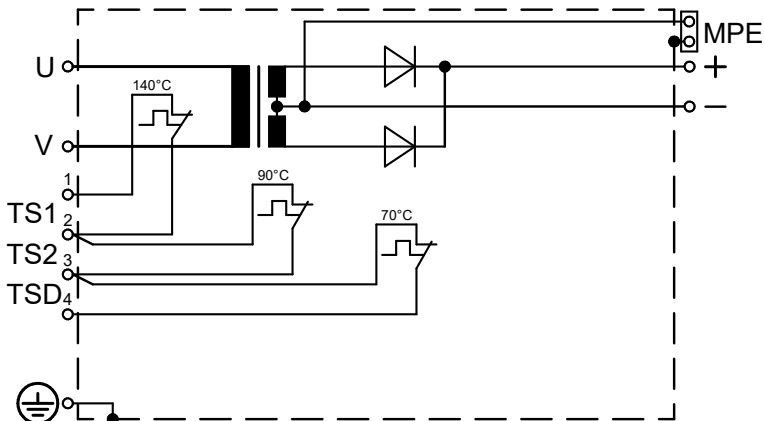


technical data

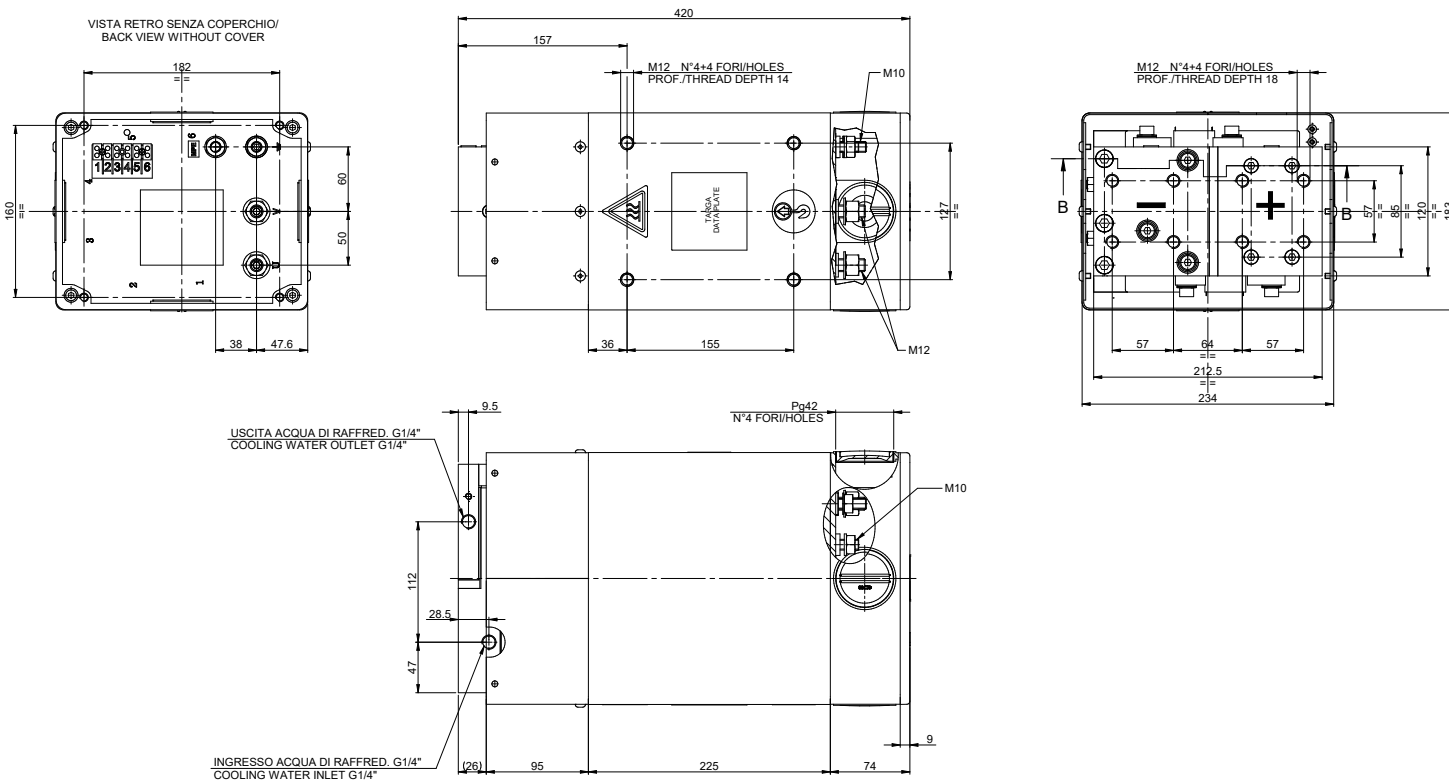
art	S _{50%} kVA	S _{20%} kVA	U _{1N} /Freq. Volt/Hz	S _{1P} kVA	I _{1P} A	U _{2d}				I _{2P} kA	Q l/min	ΔP bar	COLOR	m kg
						V	V	V	V					
37610	160	253	500/1000	113.1	-	12.3	-	-	-	8.82	8	0.5	-	31,8

TECNA S.p.A. Specifications subject to change without notice.

electrical diagram



technical dimensions



technical data

art	S _{50%}	S _{20%}	U _{1N} /Freq.	S _{1P}	I _{1p}	U _{2d}				I _{2P}	Q	ΔP	COLOR	m
	kVA	kVA	Volt/Hz	kVA	A	V	V	V	V	kA	l/min	bar		kg
						1	2	3	4					
40314	200	316	500/1000	141	-	10.4	-	-	-	13	12	1.8	-	63.4

TECNA S.p.A. Specifications subject to change without notice.

TECNA[®]
Resistance Welding Systems & Balancers

Via Meucci, 27
40024 - Castel San Pietro Terme (BO)
Italy
Tel. +39 051 695 4411
Fax +39 051 654 4490
vendite@tecna.net
sales@tecna.net

