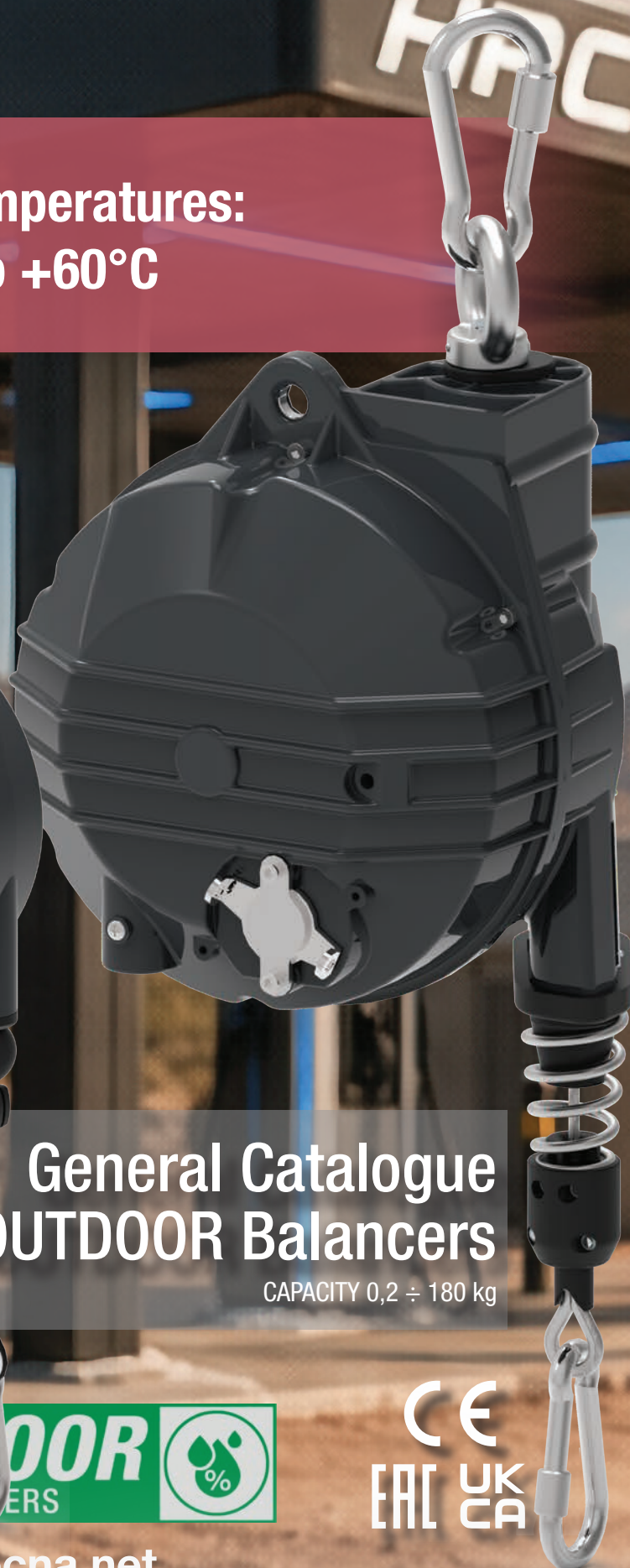


TECNA®

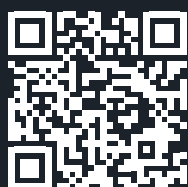
Resistance Welding Systems & Balancers

Working temperatures:
-40°C to +60°C



General Catalogue
OUTDOOR Balancers

CAPACITY 0,2 ÷ 180 kg



www.tecna.net



TECNA S.P.A. - VIA MEUCCI, 27 - CASTEL SAN PIETRO TERME

TECNA produces and distributes a complete range of BALANCERS having a capacity from 0.2 kg to 180 kg and an available standard wire stroke up to 3 meters. The TECNA BALANCER is an essential device to eliminate the operator's labour, to increase productivity by cutting down tools handling time and to improve work quality. Furthermore, the use of the TECNA BALANCERS reduces hoses and cables wear and avoids eventual damages to both people and tools.

The application of the TECNA BALANCER is absolutely versatile: it may be used for bench or assembly line works and it may be suitably applied to small tools, industrial suspended welders and multiple screw drivers. The ergonomic structure of the TECNA balancers has been designed to facilitate each application of use, ranging from movement easiness to body robustness, from simple use to lifting power.

TECNA, as a primary manufacturer, realizes special as well as customized versions upon demand.



TECNA S.P.A. - VIA GR



Made in TECNA





MECO, 25/27 - CASTEL SAN PIETRO TERME



CE EAC UK
CA

DIN
15112

MAIN APPLICATIONS

INDUSTRIAL LOGISTICS



Electric Pallet Truck Charging • Forklift Fleet Charging

PUBLIC & COMMERCIAL EV CHARGING



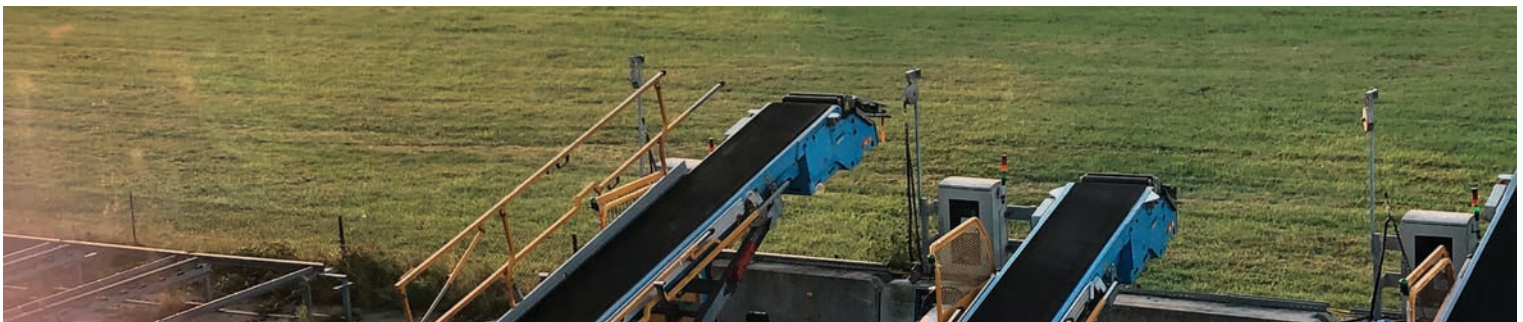
HPC EV Charging • Commercial Parking Charging

HEAVY-DUTY E-MOBILITY



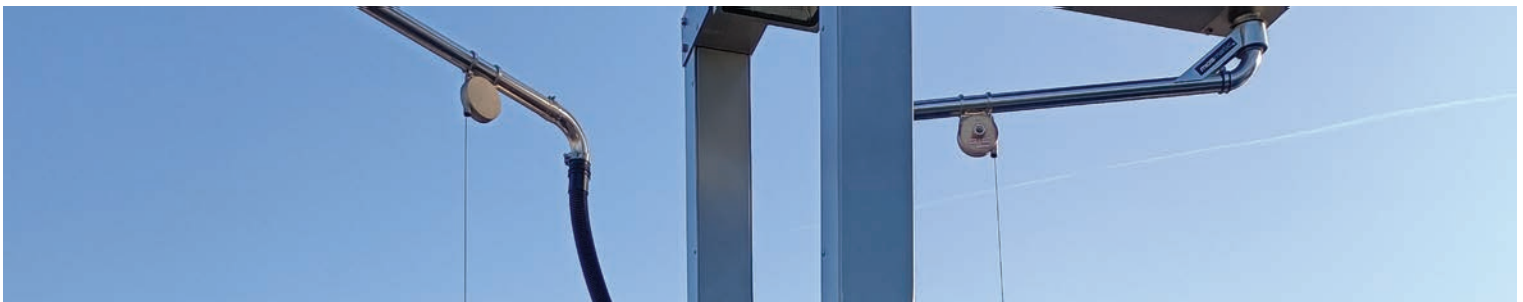
e-Bus Charging • e-Truck Charging

AIRPORT & GSE



Airport Ground Support Equipment Charging • Electric Baggage Handling Systems

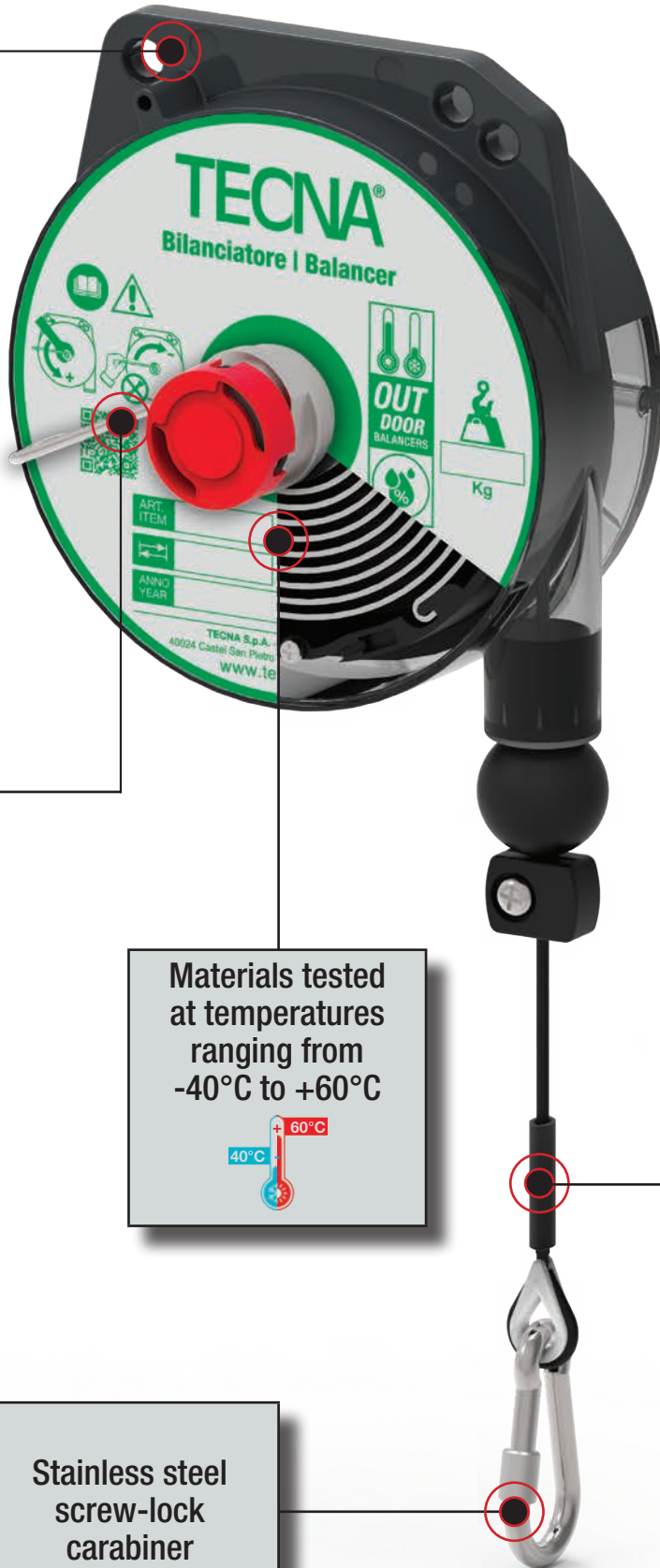
CAR WASH & CLEANING FACILITIES



Car Wash Hose Management Systems • Car Wash Vacuum Hose Support Systems

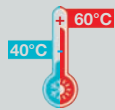
RETRACTORS

Aluminium powder-coated housing
Resistant to oxidation and chemical aggression



Rustproof and Stainless-Steel exterior materials

Materials tested at temperatures ranging from -40°C to +60°C



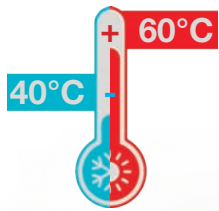
Synthetic fiber rope

Stainless steel screw-lock carabiner

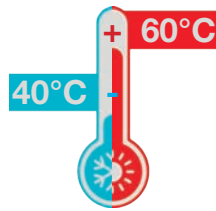
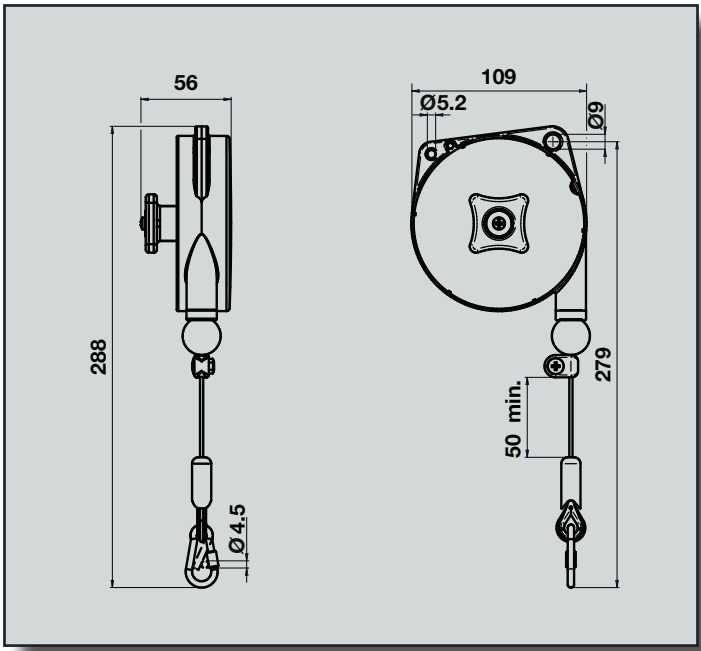


93100D÷93130D

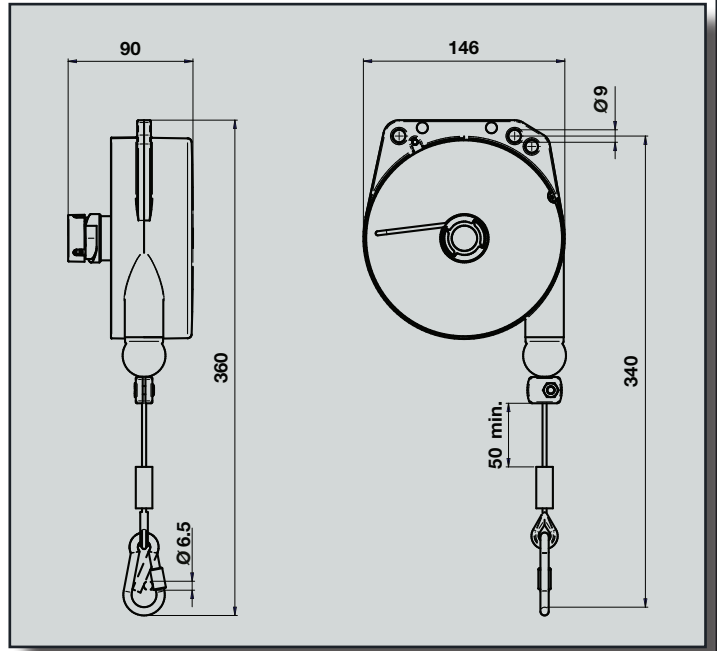
93200D÷93230D



	1600 mm
	0,2÷3 kg

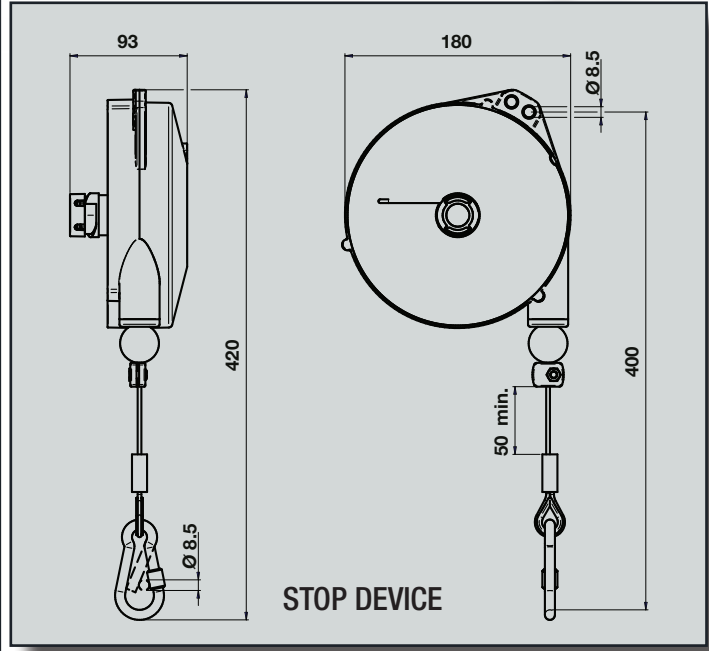
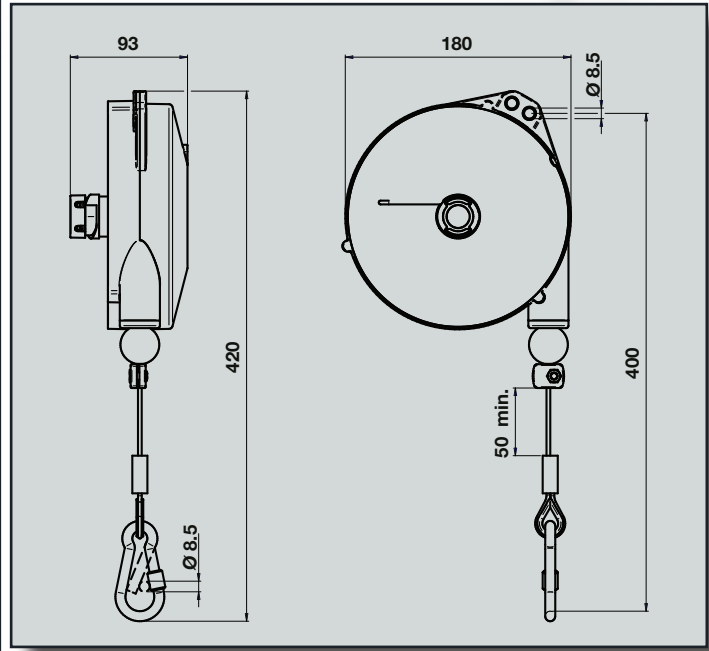


	2000 mm
	1÷8 kg



9336LOD÷93400D

9346LOD÷93500D



BALANCERS TECHNICAL FEATURES

		
93100D	0,2÷0,5 kg	1600 mm
93110D	0,4÷1,0kg	1600 mm
93120D	1,0÷2,0 kg	1600 mm
93130D	2,0÷3,0 kg	1600 mm
93200D	1,0÷2,5 kg	2000 mm
93210D	2,0÷4,0 kg	2000 mm
93220D	4,0÷6,0 kg	2000 mm
93230D	6,0÷8,0 kg	2000 mm
9336L0D	0,5÷2,0 kg	2500 mm
93360D	2,0÷4,0 kg	2500 mm
93370D	4,0÷6,0 kg	2500 mm
93380D	6,0÷8,0 kg	2500 mm
93390D	8,0÷10 kg	2500 mm
93400D	10÷14 kg	2500 mm
*9346L0D	0,5÷2,0 kg	2500 mm
*93460D	2,0÷4,0 kg	2500 mm
*93470D	4,0÷6,0 kg	2500 mm
*93480D	6,0÷8,0 kg	2500 mm
*93490D	8,0÷10 kg	2500 mm
*93500D	10÷14 kg	2500 mm

* STOP device



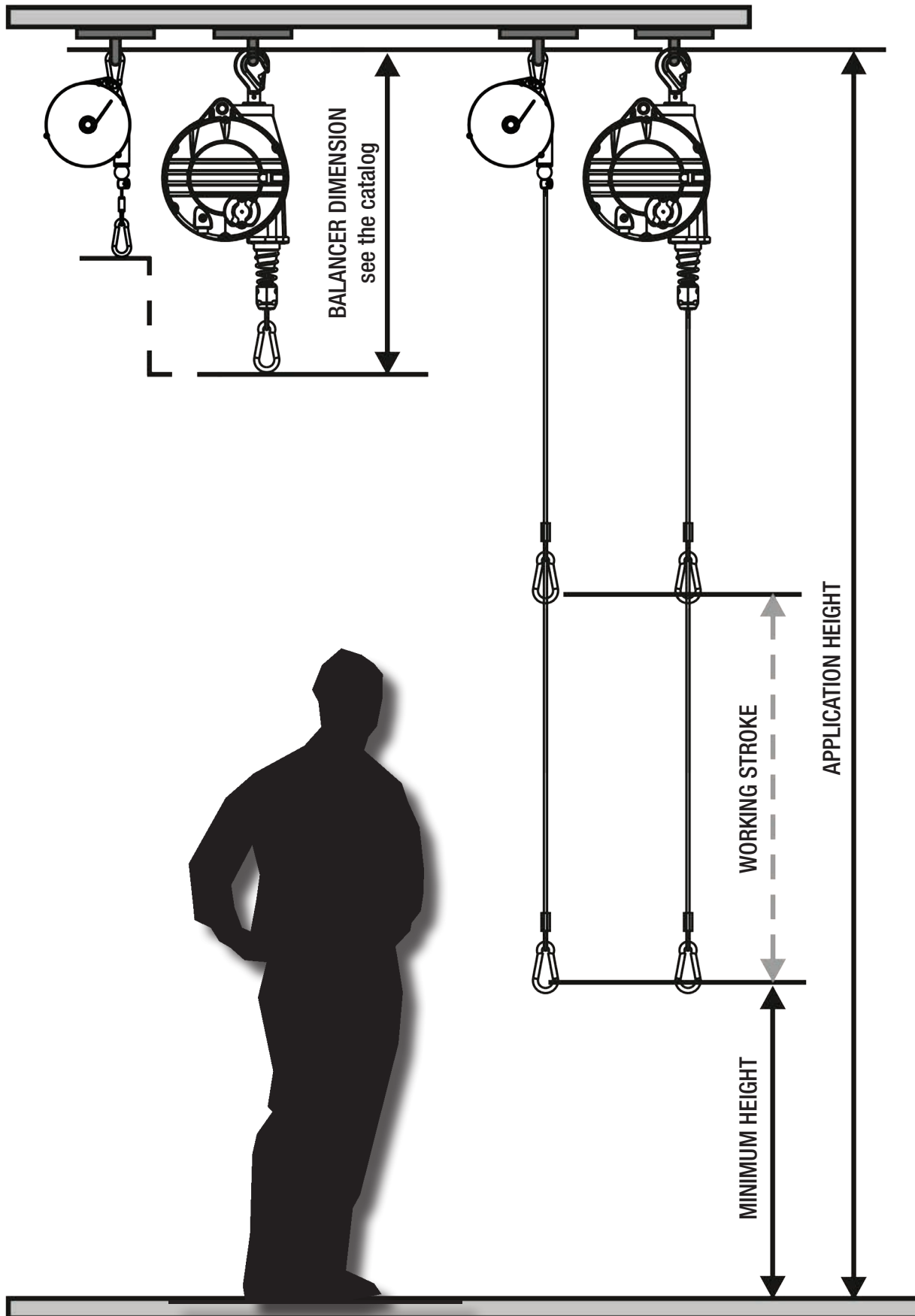
BALANCERS TECHNICAL FEATURES

	93100D÷93130D	93200D÷93230D	9336L0D÷93400D	9346L0D÷93500D	
kg	0.2÷3	1÷8	0,5÷14	0,5÷14	Capacity
mm	1600	2000	2500	2500	Stroke
	●	●	●	●	Rugged construction, cast aluminium body
	●	●	●	●	Powder-coated housing, resistant to oxidation and chemical corrosion
	●	●	●	●	Rustproof and Stainless-Steel exterior materials
	●	●	●	●	Polypropylene / Dyneema rope, for «NY» model
	●	●	●	●	Stainless steel screw-lock carabiner
	●	●	●	●	Materials tested at temperatures ranging from -40°C to +60°C
	●	●	●	●	Adjustable capacity
	●	●	●	●	Safety suspension
		●	●	●	Safety device against load dropping due to the spring breakage (capacity >3kg)
	●	●	●	●	Adjustable stroke limiting device
	●	●	●	●	Cable guide in antifriction material
	●	●	●	●	Inert spring drum assembly
	●	●	●	●	Polyamides thimble

PACKAGING FEATURES

	93100D	93110D	93120D	93130D	93200D	93210D	93220D	93230D	9336L0D	93360D	93370D
kg	0.50	0.60	0.60	0.70	1,80	2,1	2,1	2.5	3.40	3.40	3.60
lb	1.10	1.32	1.32	1.54	3.97	4.63	4.63	5.51	7.50	7.50	7.94
mm	204x112x62	204x112x62	204x112x62	204x112x62	254x149x96	254x149x96	254x149x96	254x149x96	304x186x100	304x186x100	304x186x100
inch	6.3x4.7x2.4	6.3x4.7x2.4	6.3x4.7x2.4	6.3x4.7x2.4	10x5.87x3.78	10x5.87x3.78	10x5.87x3.78	10x5.87x3.78	11.97x7.32x3.94	11.97x7.32x3.94	11.97x7.32x3.94
	93380D	93390D	93400D	9346L0D	93460D	93470D	93480D	93490D	93500D		
kg	3.70	3.70	3.80	3.40	3.40	3.60	3.70	3.80	3.90		
lb	8.16	8.16	8.38	7.50	7.50	7.94	8.16	8.38	8.60		
mm	304x186x100	304x186x100	304x186x100	304x186x100	304x186x100	304x186x100	304x186x100	304x186x100	304x186x100		
inch	11.97x7.32x3.94	11.97x7.32x3.94	11.97x7.32x3.94	11.97x7.32x3.94	11.97x7.32x3.94	11.97x7.32x3.94	11.97x7.32x3.94	11.97x7.32x3.94	11.97x7.32x3.94		

EXAMPLE OF BALANCER INSTALLATION



ZERO GRAVITY BALANCERS

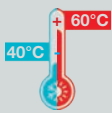
Rustproof and
Stainless-Steel
exterior materials

Aluminium
powder-coated
housing
Resistant to
oxidation and
chemical aggression

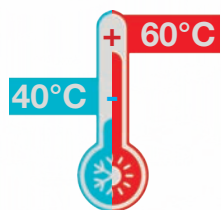
Rustproof and
Stainless Steel
Interior Materials

Full Stainless-Steel
wire rope

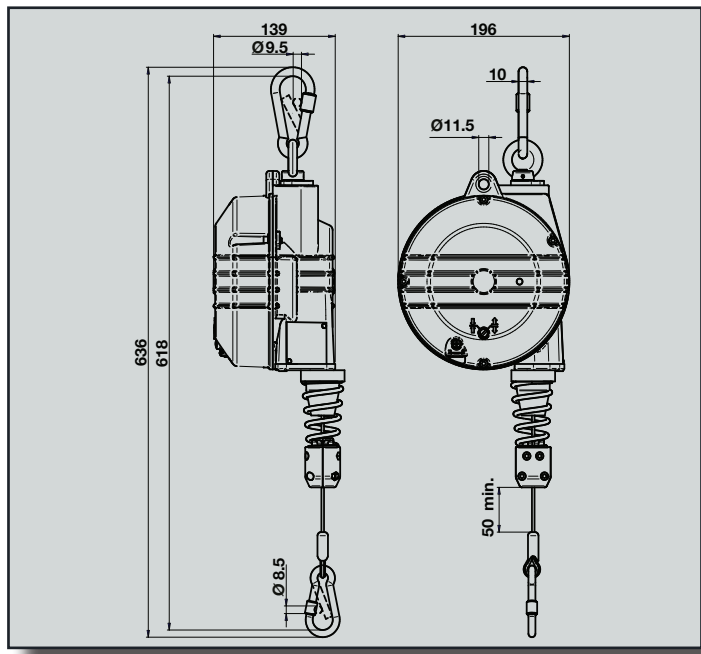
Materials tested
at temperatures
ranging from
-40°C to +60°C



93540D÷93590D



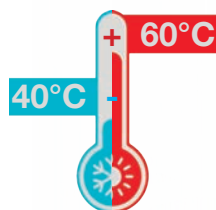
	2000 mm
	4÷25 kg



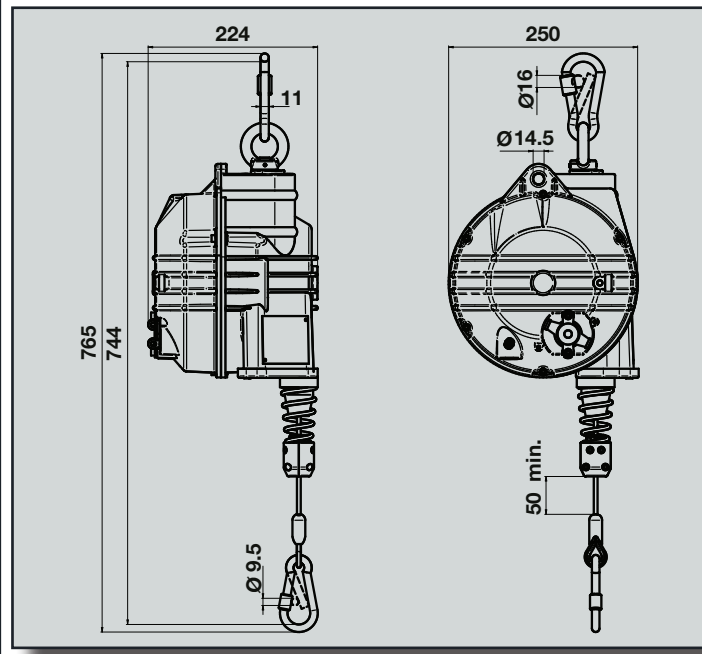
95020D÷95250D



OPTION B1
(719000021)



	2100 mm
	2700 mm
	12÷100 kg

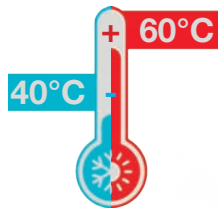


93610D÷93690D

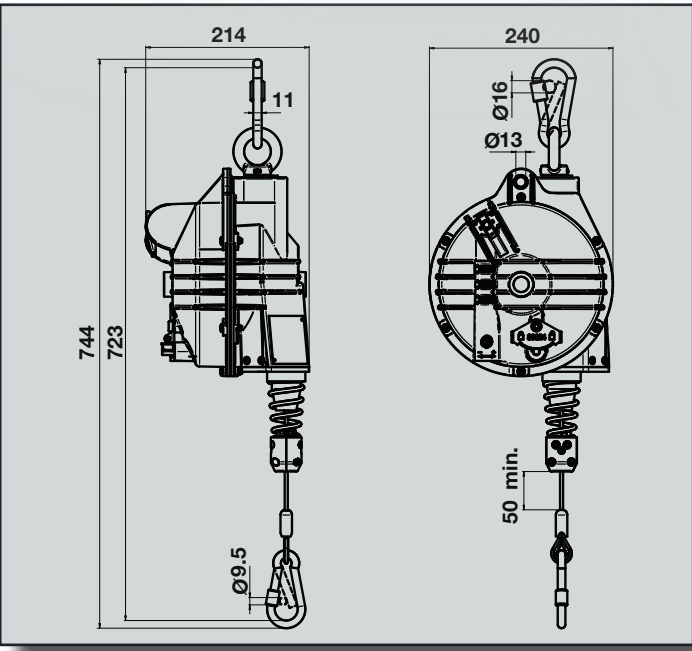
94010D÷94560D



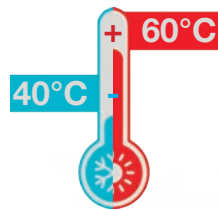
OPTION B1
(719000021)



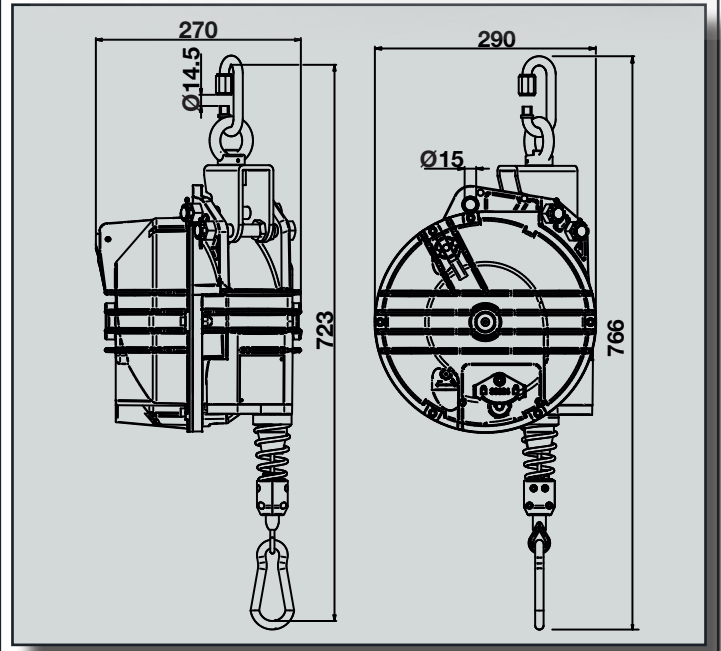
	2000 mm
	10÷75 kg



OPTION B1
(719000022)



	2500 mm
	3000 mm
	35÷180 kg






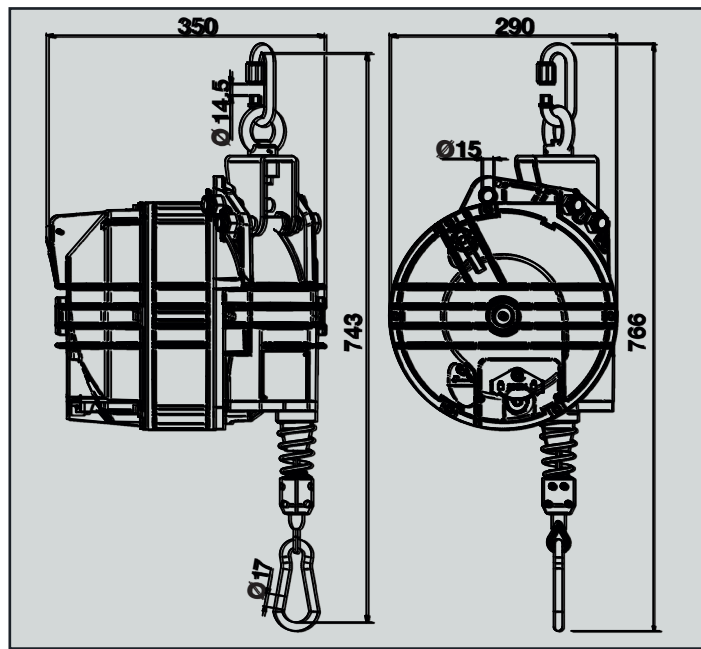
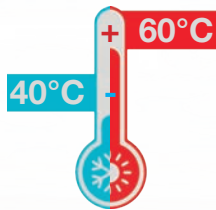
94220D÷94560D






OPTION B1
(719000022)



	2500 mm
	3000 mm
	100÷180 kg



BALANCERS TECHNICAL FEATURES

		
93540D	4,0÷7,0 kg	2000 mm
93550D	7,0÷10 kg	2000 mm
93560D	10÷14 kg	2000 mm
93570D	14÷18 kg	2000 mm
93580D	18÷22 kg	2000 mm
93590D	22÷25 kg	2000 mm
93610D*	10÷15 kg	2000 mm
93620D*	15÷20 kg	2000 mm
93630D*	20÷25 kg	2000 mm
93640D*	25÷30 kg	2000 mm
93650D*	30÷35 kg	2000 mm
93660D*	35÷45 kg	2000 mm
93670D*	45÷55 kg	2000 mm
93680D*	55÷65 kg	2000 mm
93690D*	65÷75 kg	2000 mm
93700D*	75÷90 kg	2000 mm
93710D*	90÷105 kg	2000 mm
95020D	20÷30 kg	2100 mm
95030D	30÷40 kg	2100 mm
95040D	40÷50 kg	2100 mm
95050D	50÷60 kg	2100 mm
95060D	60÷70 kg	2100 mm
95070D	70÷80 kg	2100 mm
95080D	80÷90 kg	2100 mm
95090D	90÷100 kg	2100 mm
95200D	12÷20 kg	2700 mm
95210D	20÷30 kg	2700 mm
95220D	30÷40 kg	2700 mm
95230D	40÷50 kg	2700 mm
95240D	50÷60 kg	2700 mm
95250D	60÷70 kg	2700 mm

		
94010D*	15÷20 kg	2500 mm
94020D*	20÷30 kg	2500 mm
94030D*	30÷40 kg	2500 mm
94040D*	40÷50 kg	2500 mm
94050D*	50÷60 kg	2500 mm
94110D*	60÷70 kg	2500 mm
94120D*	70÷80 kg	2500 mm
94130D*	80÷90 kg	2500 mm
94140D*	90÷100 kg	2500 mm
94220D*	100÷120 kg	2500 mm
94230D*	120÷140 kg	2500 mm
94240D*	130÷150 kg	2500 mm
94250D*	140÷160 kg	2500 mm
94260D*	160÷180 kg	2500 mm
94310D*	15÷20 kg	3000 mm
94320D*	20÷25 kg	3000 mm
94330D*	25÷35 kg	3000 mm
94340D*	35÷45 kg	3000 mm
94350D*	40÷50 kg	3000 mm
94360D*	50÷60 kg	3000 mm
94410D*	60÷70 kg	3000 mm
94420D*	70÷80 kg	3000 mm
94430D*	80÷90 kg	3000 mm
94440D*	80÷100 kg	3000 mm
94510D*	100÷115 kg	3000 mm
94520D*	115÷130 kg	3000 mm
94530D*	130÷140 kg	3000 mm
94540D*	140÷150 kg	3000 mm
94550D*	150÷160 kg	3000 mm
94560D*	160÷180 kg	3000 mm

BALANCERS TECHNICAL FEATURES

	93540D÷9359G	95020D÷95090D	95200D÷95250D	93610D÷93690D 93700D/93710D	94010D÷94050D 94110D÷94140D 94220D÷94260D	94310D÷94330D 94340D÷94440D 94510D÷94560D	
kg	4÷25	20÷100	12÷70	10÷105	15÷180	15÷180	Capacity
mm	2000	2100	2700	2000	2500	3000	Stroke
	●	●	●	●	●	●	Ribbed and sealed construction in aluminium alloy
	●	●	●	●	●	●	Powder-coated housing, resistant to oxidation and chemical corrosion
	●	●	●	●	●	●	Rustproof and Stainless-Steel exterior materials
	●	●	●	●	●	●	Rustproof and Stainless Steel Interior Materials
	●	●	●	●	●	●	Full Stainless-Steel wire rope
	●	●	●	●	●	●	Stainless steel screw-lock carabiner
	●	●	●	●	●	●	Materials tested at temperatures ranging from -40°C to +60°C
	●	●	●	●	●	●	Adjustable capacity by means of a worm screw
	●	●	●	●	●	●	Safety suspension
	●	●	●	●	●	●	Safety device against load dropping due to the spring breakage (capacity >3kg)
				●	●	●	Centrifugal safety device
	●	●	●	●	●	●	Upper rotary suspension with safety hook
	●	●	●	●	●	●	Locking device to block the load at any height
	●	●	●	●	●	●	Adjustable stroke limiting device
	●	●	●	●	●	●	Taper drum rotating on ball bearings
	●	●	●	●	●	●	Cable guide in antifriction material
	●	●	●	●	●	●	Rotary upper hook with ball bearing
					●	●	Lining up upper hook
					●	●	Visible cable for inspection
	●	●	●	●	●	●	Inert spring drum assembly
	●	●	●	●	●	●	Stainless-Steel thimble

ON REQUEST OPTIONS B1

719000021		●	●	●			B1: Reinforced Locking-unlocking device with control from the floor
719000022					●	●	B1: Reinforced Locking-unlocking device with control from the floor

PACKAGING FEATURES

	93540D	93550D	93560D	93570D	93580D	93590D	95020D	95030D	95040D	95050D	95060D
kg	6,00	6,40	6,80	7,40	7,00	7,60	14,40	17,00	17,30	18,50	17,30
lb	13,23	14,11	14,99	16,31	15,43	16,76	31,75	37,48	31,14	40,79	38,14
mm	525x206x175	525x206x175	525x206x175	525x206x175	525x206x175	525x206x175	590x265x260	590x265x260	590x265x260	590x265x260	590x265x260
inch	16,5x8,1x6,5	16,5x8,1x6,5	16,5x8,1x6,5	16,5x8,1x6,5	16,5x8,1x6,5	16,5x8,1x6,5	17,9x10,6x11	17,9x10,6x11	17,9x10,6x11	17,9x10,6x11	17,9x10,6x11
	95070D	95080D	95090D	95200D	95210D	95220D	95230D	95240D	95250D	93610D	93620D
kg	19,50	18,00	18,60	14,60	14,40	17,60	17,20	18,40	17,50	11,80	12,10
lb	43,00	39,68	41,01	32,19	31,75	38,80	38,00	40,57	38,58	26,01	26,68
mm	590x265x260	590x265x260	590x265x260	590x265x260	590x265x260	590x265x260	590x265x260	590x265x260	590x265x260	590x265x260	590x265x260
inch	17,9x10,6x11	17,9x10,6x11	17,9x10,6x11	17,9x10,6x11	17,9x10,6x11	17,9x10,6x11	17,9x10,6x11	17,9x10,6x11	17,9x10,6x11	17,9x10,6x11,0	17,9x10,6x11,0
	93630D	93640D	93650D	93660D	93670D	93680D	93690D	93700D	93710D	94010D	94020D
kg	12,40	13,30	13,30	14,10	14,10	15,00	15,80	18,80	19,70	22,70	24,10
lb	27,34	29,32	31,09	31,09	31,09	33,07	34,83	41,45	39,46	50,04	53,13
mm	590x265x260	590x265x260	590x265x260	590x265x260	590x265x260	590x265x260	590x265x260	590x265x260	590x265x260	670x295x286	670x295x286
inch	17,9x10,6x11,0	17,9x10,6x11,0	17,9x10,6x11,0	17,9x10,6x11,0	17,9x10,6x11,0	17,9x10,6x11,0	17,9x10,6x11,0	17,9x10,6x11,0	17,9x10,6x11,0	23,6x12,6x13	23,6x12,6x13
	94030D	94040D	94050D	94110D	94120D	94130D	94140D	94220D	94230D	94240D	94250D
kg	24,10	25,10	26,10	28,50	29,70	30,80	31,40	40,00	41,90	42,20	44,30
lb	53,13	55,34	57,54	62,83	65,48	67,90	69,23	88,18	92,37	93,04	97,66
mm	670x295x286	670x295x286	670x295x286	670x295x286	670x295x286	670x295x286	670x295x286	670x300x360	670x300x360	670x300x360	670x300x360
inch	23,6x12,6x13	23,6x12,6x13	23,6x12,6x13	23,6x12,6x13	23,6x12,6x13	23,6x12,6x13	23,6x12,6x13	23,6x12,6x16,5	23,6x12,6x16,5	23,6x12,6x16,5	23,6x12,6x16,5
	94260D	94310D	94320D	94330D	94340D	94350D	94360D	94410D	94420D	94430D	94440D
kg	46,60	22,70	22,70	24,10	27,50	26,60	27,60	28,50	29,70	30,80	31,40
lb	102,74	50,04	50,04	53,13	60,63	58,64	60,85	62,83	65,48	67,90	69,23
mm	670x300x360	670x295x286	670x295x286	670x295x286	670x295x286	670x295x286	670x295x286	670x295x286	670x295x286	670x295x286	670x295x286
inch	23,6x12,6x16,5	23,6x12,6x13	23,6x12,6x13	23,6x12,6x13	23,6x12,6x13	23,6x12,6x13	23,6x12,6x13	23,6x12,6x13	23,6x12,6x13	23,6x12,6x13	23,6x12,6x13
	94510D	94520D	94530D	94540D	94550D	94560D					
kg	40,00	40,10	41,90	42,20	44,30	46,60					
lb	88,18	88,41	92,37	93,04	97,66	102,74					
mm	670x300x360	670x300x360	670x300x360	670x300x360	670x300x360	670x300x360					
inch	23,6x12,6x16,5	23,6x12,6x16,5	23,6x12,6x16,5	23,6x12,6x16,5	23,6x12,6x16,5	23,6x12,6x16,5					





ITEM

kg / lb - mm / inch

ITEM	G	NY	AX	ESD	IL RL	OD	Kg		lb		mm		inch		Kg		lb	
9300			NY				0,2÷0,5	0,44÷1,1	1600	62,99	0,43	0,95						
9301			NY				0,4÷1	0,88÷2,20	1600	62,99	0,46	1,01						
9302			NY				1÷2	2,20÷4,41	1600	62,99	0,49	1,08						
9303			NY				2÷3	4,41÷6,61	1600	62,99	0,64	1,41						
9310			NY	AX	ESD	IL OD	0,2÷0,5	0,44÷1,1	1600	62,99	0,55	1,21						
9311			NY	AX	ESD	IL OD	0,4÷1	0,88÷2,20	1600	62,99	0,57	1,26						
9312			NY	AX	ESD	IL OD	1÷2	2,20÷4,41	1600	62,99	0,60	1,32						
9313			NY	AX	ESD	IL OD	2÷3	4,41÷6,61	1600	62,99	0,74	1,63						
9320			NY	AX	ESD	IL OD	1÷2,5	2,20÷5,51	2000	78,74	1,67	3,68						
9321			NY	AX	ESD	IL OD	2÷4	4,41÷8,82	2000	78,74	1,90	4,19						
9322			NY	AX	ESD	IL OD	4÷6	8,82÷13,23	2000	78,74	1,98	4,37						
9323			NY	AX	ESD	IL OD	6÷8	13,23÷17,63	2000	78,74	2,28	5,03						
9336L			NY	AX	ESD	IL OD	0,5÷2	1,1÷4,41	2500	98,43	3,14	6,92						
9336			NY	AX	ESD	IL OD	2÷4	4,41÷8,82	2500	98,43	3,14	6,92						
9337			NY	AX	ESD	IL OD	4÷6	8,82÷13,23	2500	98,43	3,30	7,28						
9338			NY	AX	ESD	IL OD	6÷8	13,23÷17,63	2500	98,43	3,36	7,41						
9339			NY	AX	ESD	IL OD	8÷10	17,63÷22,05	2500	98,43	3,43	7,56						
9340			NY	AX	ESD	IL OD	10÷14	22,05÷30,86	2500	98,43	3,58	7,89						
9346L			NY	AX	ESD	IL OD	0,5÷2	1,1÷4,41	2500	98,43	3,14	6,92						
9346			NY	AX	ESD	IL OD	2÷4	4,41÷8,82	2500	98,43	3,14	6,92						
9347			NY	AX	ESD	IL OD	4÷6	8,82÷13,23	2500	98,43	3,32	7,32						
9348			NY	AX	ESD	IL OD	6÷8	13,23÷17,63	2500	98,43	3,38	7,45						
9349			NY	AX	ESD	IL OD	8÷10	17,63÷22,05	2500	98,43	3,48	7,67						
9350			NY	AX	ESD	IL OD	10÷14	22,05÷30,86	2500	98,43	3,62	7,98						
9354	G		AX	ESD	RL OD		4÷7	8,82÷15,43	2000	78,74	4,94	10,89						
9355	G		AX	ESD	RL OD		7÷10	15,43÷22,05	2000	78,74	5,30	11,68						
9356	G		AX	ESD	RL OD		10÷14	22,05÷30,86	2000	78,74	5,67	12,5						
9357	G		AX	ESD	RL OD		14÷18	30,86÷39,68	2000	78,74	6,26	13,8						
9358	G		AX	ESD	RL OD		18÷22	39,68÷48,50	2000	78,74	5,89	12,99						
9359	G		AX	ESD	RL OD		22÷25	48,50÷55,12	2000	78,74	6,53	14,4						
9361	G				RL OD		10÷15	22,05÷33,07	2000	78,74	9,91	21,85						
9362	G				RL OD		15÷20	33,07÷44,10	2000	78,74	10,20	22,49						
9363	G				RL OD		20÷25	44,10÷55,12	2000	78,74	10,48	23,1						
9364	G				RL OD		25÷30	55,12÷66,14	2000	78,74	11,32	24,96						
9365	G				RL OD		30÷35	66,14÷77,16	2000	78,74	11,32	24,96						
9366	G				RL OD		35÷45	77,16÷99,21	2000	78,74	12,21	26,92						
9367	G				RL OD		45÷55	99,21÷121,25	2000	78,74	12,21	26,92						
9368	G				RL OD		55÷65	121,25÷143,3	2000	78,74	13,06	28,79						
9369	G				RL OD		65÷75	143,3÷165,35	2000	78,74	13,86	30,56						
9370	G						75÷90	165,35÷198,42	2000	78,74	16,84	37,13						
9371	G						90÷105	198,42÷231,49	2000	78,74	17,77	39,18						
9401	G				RL OD		15÷20	33,07÷44,10	2500	98,43	19,67	43,36						
9402	G				RL OD		20÷30	44,10÷66,14	2500	98,43	21,11	46,54						
9403	G				RL OD		30÷40	66,14÷88,18	2500	98,43	21,11	46,54						
9404	G				RL RL		40÷50	88,18÷110,23	2500	98,43	22,03	48,57						
9405	G				RL RL		50÷60	110,23÷132,28	2500	98,43	23,07	50,86						

ITEM

kg / lb - mm / inch

												
G	NY	AX	ESD	IL RL	OD		Kg	lb	mm	inch	Kg	lb
9431	G				RL	OD	15÷20	33,07÷44,10	3000	118,11	19,67	43,36
9432	G				RL	OD	20÷25	44,10÷55,12	3000	118,11	19,67	43,36
9433	G				RL	OD	25÷35	55,12÷77,16	3000	118,11	21,11	46,54
9411	G				RL	OD	60÷70	132,28÷132,28	2500	98,43	25,56	56,35
9412	G				RL	OD	70÷80	132,28÷176,37	2500	98,43	26,75	58,97
9413	G				RL	OD	80÷90	176,37÷198,42	2500	98,43	27,90	61,51
9414	G				RL	OD	90÷100	198,42÷220,46	2500	98,43	28,46	62,74
9434	G				RL	OD	35÷45	77,16÷99,21	3000	118,11	24,46	53,93
9435	G				RL	OD	40÷50	88,18÷110,23	3000	118,11	23,65	52,14
9436	G				RL	OD	50÷60	110,23÷132,28	3000	118,11	24,69	54,43
9441	G				RL	OD	60÷70	132,28÷132,28	3000	118,11	25,56	56,35
9442	G				RL	OD	70÷80	132,28÷176,37	3000	118,11	26,75	58,97
9443	G				RL	OD	80÷90	176,37÷198,42	3000	118,11	27,90	61,51
9444	G				RL	OD	80÷100	176,37÷220,46	3000	118,11	28,46	62,74
9422	G				RL	OD	100÷120	220,46÷264,56	2500	98,43	36,61	80,73
9423	G				RL	OD	120÷140	264,56÷308,65	2500	98,43	38,51	84,9
9424	G				RL	OD	130÷150	308,65÷330,69	2500	98,43	38,83	85,61
9425	G				RL	OD	140÷160	330,69÷352,74	2500	98,43	40,90	90,17
9426	G				RL	OD	160÷180	352,74÷396,83	2500	98,43	43,20	95,24
9451	G				RL	OD	100÷115	220,46÷253,53	3000	118,11	36,61	80,71
9452	G				RL	OD	115÷130	253,53÷308,65	3000	118,11	36,77	81,06
9453	G				RL	OD	130÷140	308,65÷330,69	3000	118,11	38,51	84,9
9454	G				RL	OD	140÷150	330,69÷330,69	3000	118,11	38,83	85,61
9455	G				RL	OD	150÷160	330,69÷352,74	3000	118,11	40,90	90,17
9456	G				RL	OD	160÷180	352,74÷396,83	3000	118,11	43,20	95,24
9502			AX	ESD	RL	OD	20÷30	44,10÷66,14	2100	82,68	12,60	27,78
9503			AX	ESD	RL	OD	30÷40	66,14÷88,18	2100	82,68	15,20	33,51
9504			AX	ESD	RL	OD	40÷50	88,18÷110,23	2100	82,68	15,50	34,17
9505			AX	ESD	RL	OD	50÷60	110,23÷132,28	2100	82,68	16,70	36,82
9506			AX	ESD	RL	OD	60÷70	132,28÷132,28	2100	82,68	15,50	34,17
9507			AX	ESD	RL	OD	70÷80	132,28÷176,37	2100	82,68	17,70	39,02
9508			AX	ESD	RL	OD	80÷90	176,37÷198,42	2100	82,68	16,20	35,71
9509			AX	ESD	RL	OD	80÷100	176,37÷220,46	2100	82,68	16,80	37,04
9520			AX	ESD	RL	OD	12÷20	26,46÷44,10	2700	106,3	12,80	28,22
9521			AX	ESD	RL	OD	20÷30	44,10÷66,14	2700	106,3	12,60	27,78
9522			AX	ESD	RL	OD	30÷40	66,14÷88,18	2700	106,3	15,80	34,83
9523			AX	ESD	RL	OD	40÷50	88,18÷110,23	2700	106,3	15,40	33,95
9524			AX	ESD	RL	OD	50÷60	110,23÷132,28	2700	106,3	16,60	36,6
9525			AX	ESD	RL	OD	60÷70	132,28÷132,28	2700	106,3	15,70	34,61
9200							0,4÷0,8	0,88÷1,76	1350	53,15	1,10	2,43
9201							0,75÷1,5	1,65÷3,31	1350	53,15	1,10	2,43
9202							1,2÷2,5	2,65÷5,51	1350	53,15	1,30	2,87
9203							3÷5	6,61÷11,02	900	35,43	1,30	2,87

TECNA Balancers Lines



Precision tailored for every work environment

TECNA[®]
Resistance Welding Systems & Balancers

www.tecna.net

Made in TECNA

Via Meucci, 27
40024 - Castel San Pietro Terme (BO)
Italy
Tel. +39 051 695 4411
Fax +39 051 654 4490
vendite@tecna.net
sales@tecna.net

