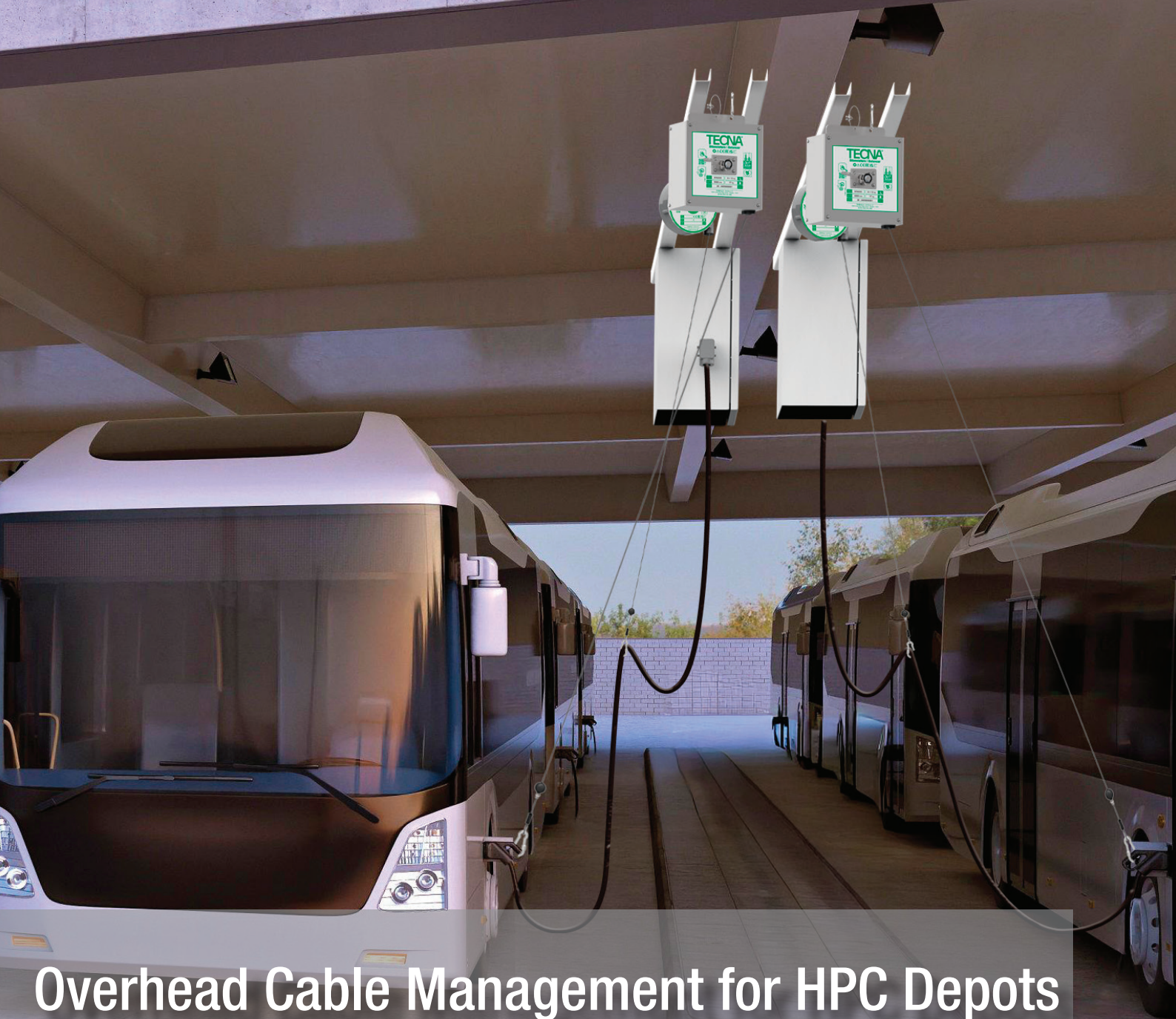


# TECNA<sup>®</sup>

Resistance Welding Systems & Balancers



## Overhead Cable Management for HPC Depots

Ergonomic cable management system for overhead High-Power Charging infrastructures  
Intuitive design with manual pull-out and controlled low-speed retraction  
Supports up to 500 A CCS cables



[www.tecna.net](http://www.tecna.net)

CE  
EAC UK  
CA



**OUTDOOR**  
BALANCERS



Ergonomic cable management systems  
for overhead High-Power Charging  
infrastructures

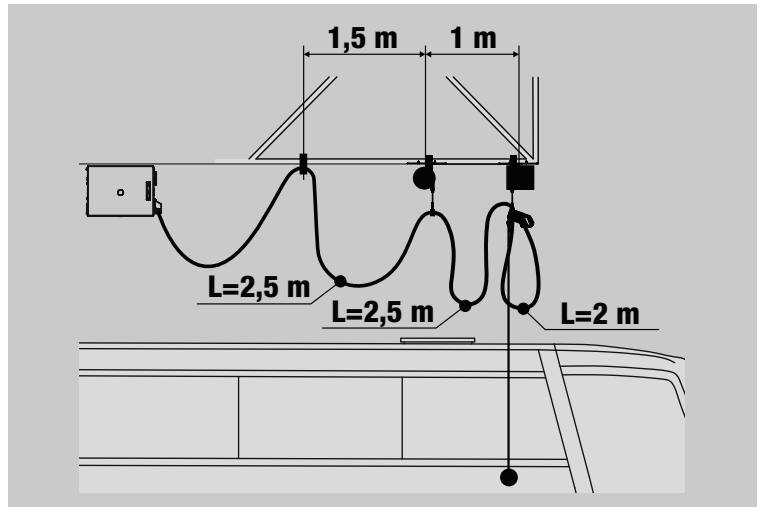
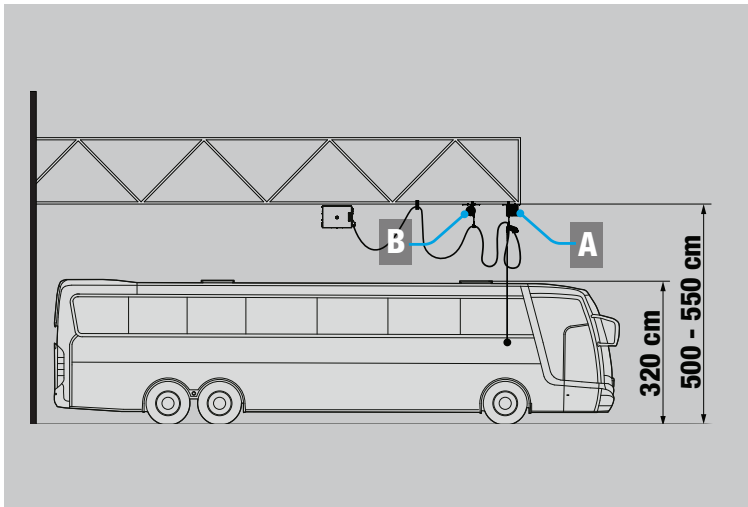
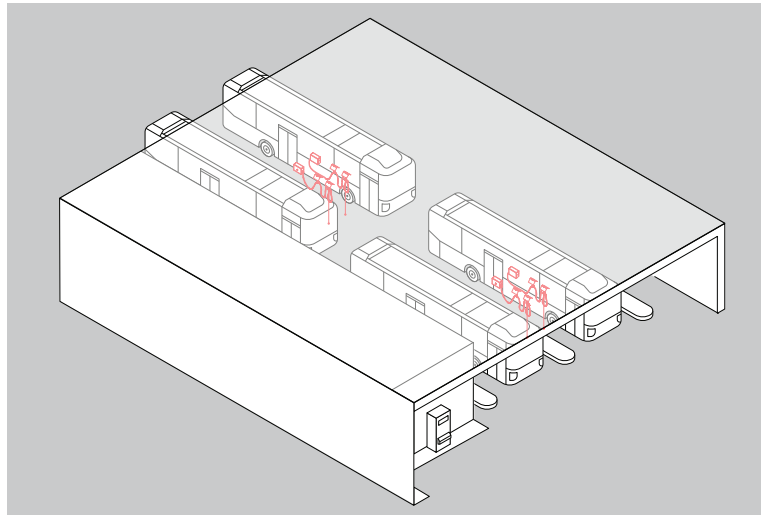
Intuitive design with manual pull-out and  
controlled low-speed retraction

Supports up to 500 A CCS cables



# The space-saving solution for eBus & eTruck depots

Safety. Efficiency. Reliability.



## Technical data

**A**

Main Balancer (97020D):



Max Stroke: 5 m (16.40 ft)

Rope: Synthetic fiber

Specifications use: Indoor and Outdoor

Operating Temperatures: -40 °C to +60 °C (-40 °F to +140 °F)

Pull Locking System: Yes

Rewind System: Progressive braking with controlled low-speed retraction

Force Characteristic: Progressive over the stroke

Pre-set pull force: Adjustable

Supported charging cable length: Up to 9.5 m (31.2 ft)

Max Pull Force (up to 500 A): 8 ÷ 12 kg (17.63 ÷ 26.46 lbs) (from minimum to maximum value)

Fall protection systems: CE standards

**A**

**B**

Auxiliary Balancer (\*93370D/3) (\*\*93380D/3): Max Stroke: 3 m (9.84 ft)



Rope: Synthetic fiber

Specifications use: Indoor and Outdoor

Operating Temperatures: -40 °C to +60 °C (-40 °F to +140 °F)

Pull Locking System: No

Force Characteristic: Progressive over the stroke

Pre-set pull force: Adjustable

Auxiliary supported charging cable length: Up to 9.5 m (31.2 ft)

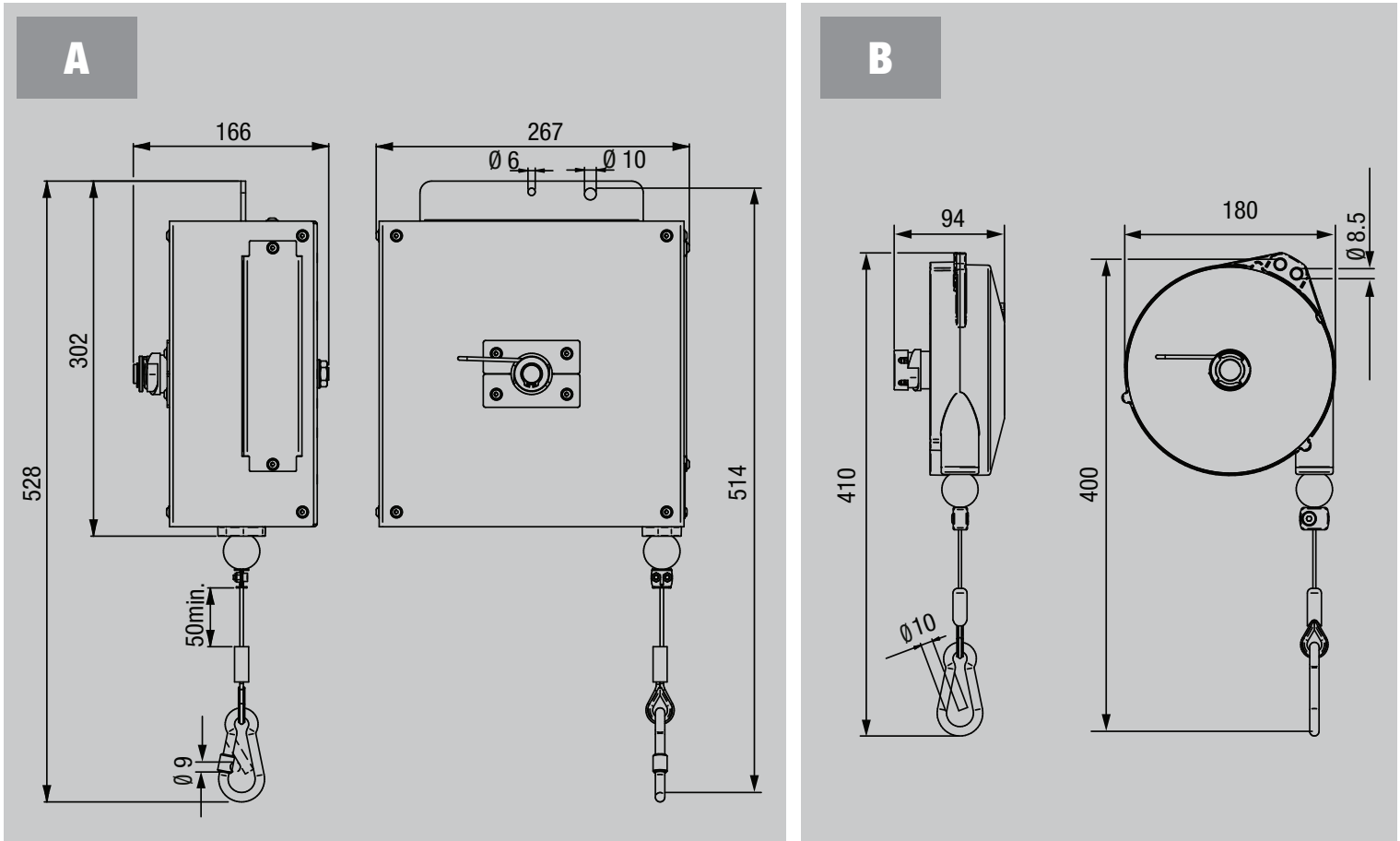
\*Max Pull Force (up to 375 A): 4 ÷ 6 kg (8.82 ÷ 13.23 lbs) (from minimum to maximum value)

\*\*Max Pull Force (400 A & 500 A): 6 ÷ 8 kg (13.23 ÷ 17.63 lbs) (from minimum to maximum value)

Fall protection systems: CE standards

**B**

## Dimensions data



# TECNA Balancers Lines



*Precision tailored for every work environment*

**TECNA**<sup>®</sup>  
Resistance Welding Systems & Balancers

[www.tecna.net](http://www.tecna.net)

Made in TECNA

Via Meucci, 27  
40024 - Castel San Pietro Terme (BO)  
Italy  
Tel. +39 051 695 4411  
Fax +39 051 654 4490  
[vendite@tecna.net](mailto:vendite@tecna.net)  
[sales@tecna.net](mailto:sales@tecna.net)

