

# TECNA®

Resistance Welding Systems & Balancers



Working temperatures:  
-40°C to +60°C

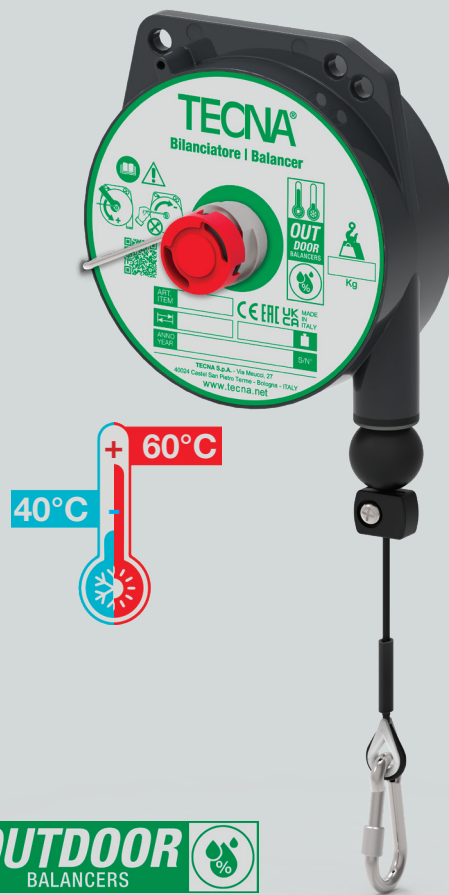
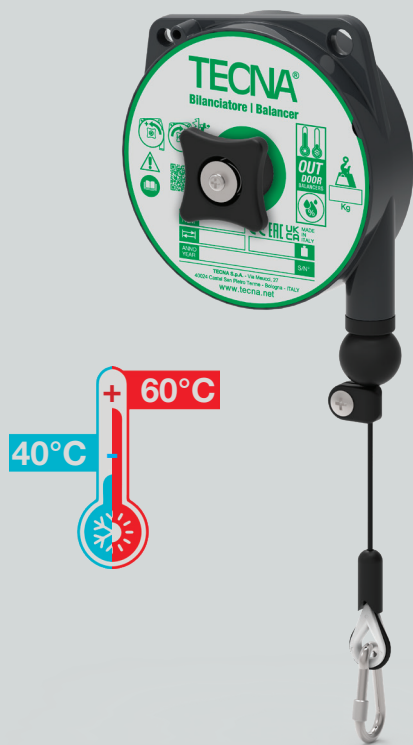
## Cable Management System for HPC

Ergonomic cable management for High-Power Charging infrastructures

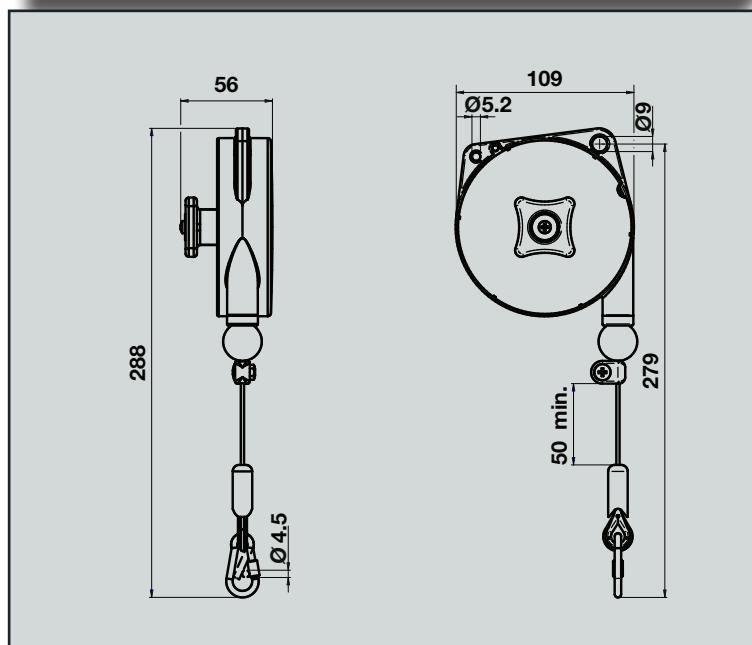
CE  
EAC UK  
CA



[www.tecna.net](http://www.tecna.net)



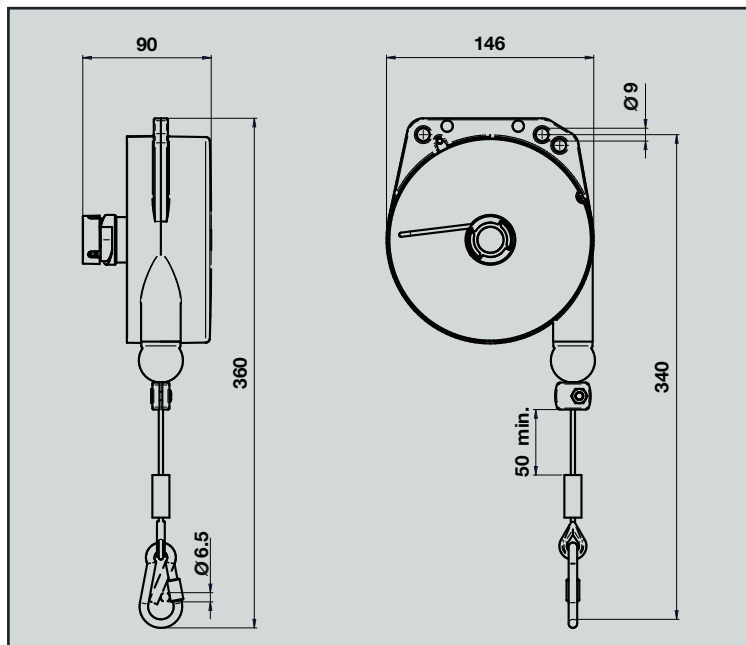
## 93100D÷93130D



93100D	0,2÷0,5 kg	1600 mm	2500 mm
93110D	0,4÷1,0 kg	1600 mm	2500 mm
93120D	1,0÷2,0 kg	1600 mm	2500 mm
93130D	2,0÷3,0 kg	1600 mm	2500 mm

Custom stroke, available upon request

## 93200D÷93230D



93200D	1÷2,5 kg	2000 mm	2500 mm
93210D	2,0÷4,0 kg	2000 mm	2500 mm
93220D	4,0÷6,0 kg	2000 mm	2500 mm
93230D	6,0÷8,0 kg	2000 mm	2500 mm

Custom stroke, available upon request

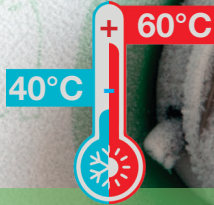


Powder-coated aluminum housing resistant to oxidation and chemical aggression

Rustproof and stainless-steel exterior materials

Synthetic fiber rope

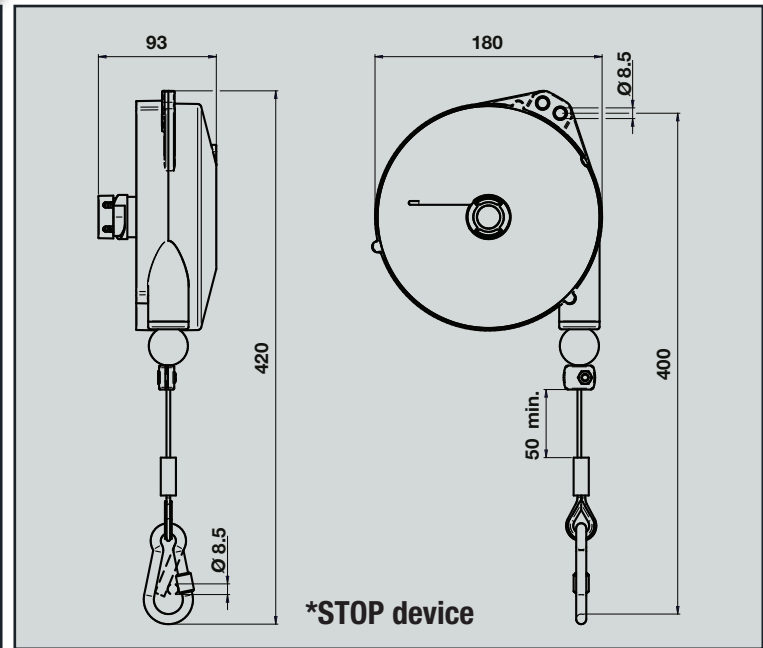
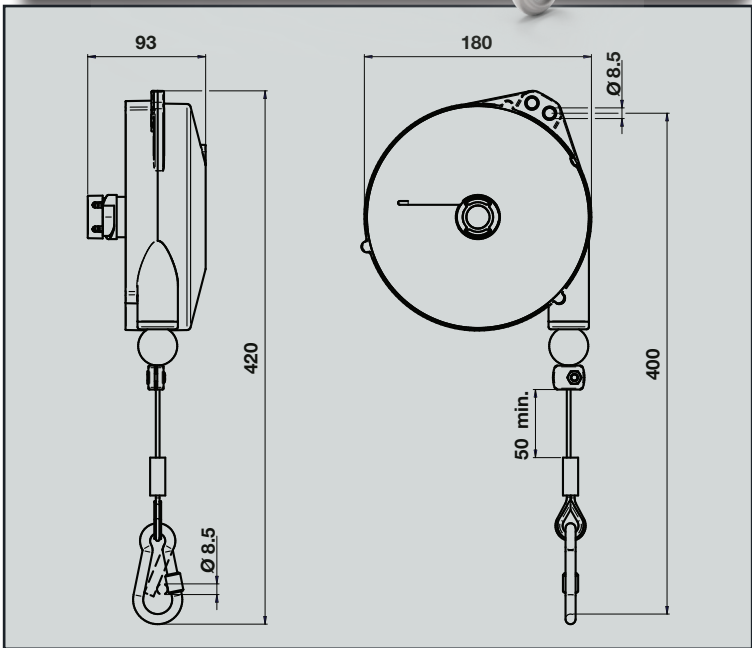
Stainless-steel components within the rope assembly



**Tested at temperatures from -40°C to +60°C**  
(-40°F to +140°F)

**9336LOD ÷ 93400D**

**9346LOD ÷ 93500D**



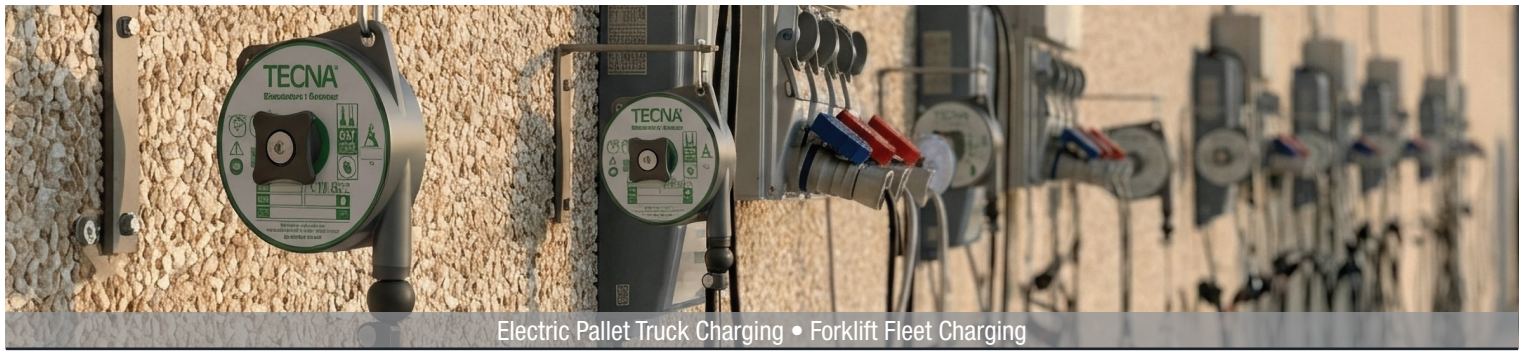
Model	Capacity	Stroke	Height
9336LOD	0,5 ÷ 2,0 kg	2500 mm	3000 mm
93360D	2,0 ÷ 4,0 kg	2500 mm	3000 mm
93370D	4,0 ÷ 6,0 kg	2500 mm	3000 mm
93380D	6,0 ÷ 8,0 kg	2500 mm	3000 mm
93390D	8,0 ÷ 10 kg	2500 mm	3000 mm
93400D	10 ÷ 14 kg	2500 mm	3000 mm

Custom stroke, available upon request

Model	Capacity	Stroke	Height
*9346LOD	0,5 ÷ 2,0 kg	2500 mm	3000 mm
*93460D	2,0 ÷ 4,0 kg	2500 mm	3000 mm
*93470D	4,0 ÷ 6,0 kg	2500 mm	3000 mm
*93480D	6,0 ÷ 8,0 kg	2500 mm	3000 mm
*93490D	8,0 ÷ 10 kg	2500 mm	3000 mm
*93500D	10 ÷ 14 kg	2500 mm	3000 mm

Custom stroke, available upon request

# INDUSTRIAL LOGISTICS



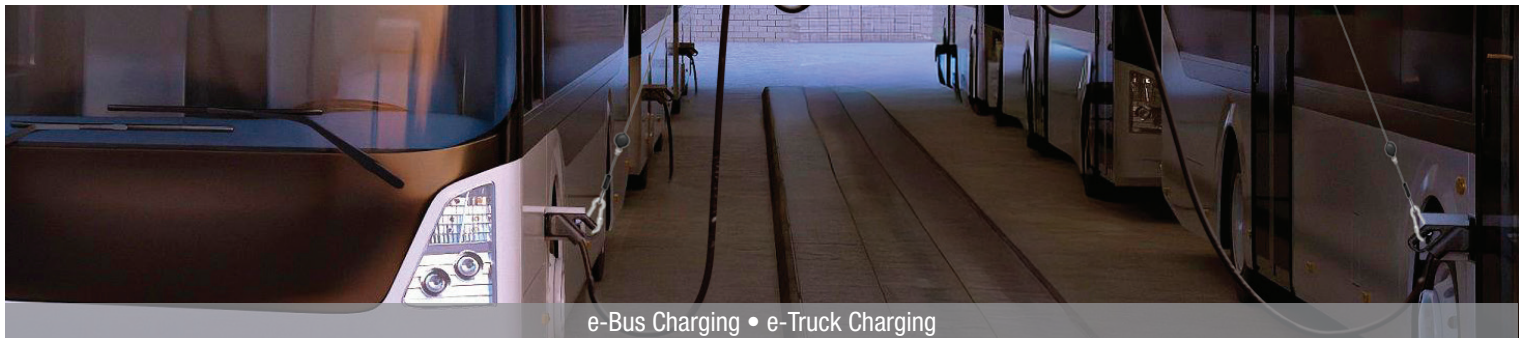
Electric Pallet Truck Charging • Forklift Fleet Charging

## PUBLIC & COMMERCIAL EV CHARGING



HPC EV Charging • Commercial Parking Charging

## HEAVY-DUTY E-MOBILITY



e-Bus Charging • e-Truck Charging

## AIRPORT & GSE



Airport Ground Support Equipment Charging • Electric Baggage Handling Systems

## CAR WASH & CLEANING FACILITIES



Car Wash Hose Management Systems • Car Wash Vacuum Hose Support Systems

**TECNA**<sup>®</sup>  
Resistance Welding Systems & Balancers



Via Meucci, 27  
40024 - Castel San Pietro Terme (BO) Italy  
Tel. +39 051 695 4411 | Fax +39 051 654 4490  
vendite@tecna.net | sales@tecna.net | www.tecna.net